

执行元件

← Execution Components





**SC、SU系列标准气缸**  
SC、SU Series Standard Cylinder



订购码  
Ordering code

SC - D - 50 × 50 - 25 - S - LB

<p><b>型号</b> SC: 拉杆标准式 SU: 拉杆内藏式 <b>Model</b> SC: Pull rod Standard type SU: Hidden pull rod type</p>	<p>空白: 标准复动型 D: 双轴复动型 J: 可调行程型 <b>Blank:</b> Standard double action D: Double-shaft double acting J: Double-shaft and adjustable stroke type</p>	<p><b>缸径</b> Bore</p>	<p><b>行程</b> stroke</p>	<p><b>调整行程</b> SCJ可调行程 SUJ可调行程 <b>Adjustable stroke</b> SCJ adjustable stroke SUJ adjustable stroke</p>	<p><b>磁石</b> S: 附磁石 空白: 不附磁石 <b>Magnet</b> S: magnet Blank: Without magnr</p>	<p><b>固定形式</b> 空白: 基本型 LB: 前后固定型 FA: 前盖固定型(前法兰) FB: 后盖固定型(后法兰) CA: 后盖固定型(单耳型) CB: 后盖固定型(双耳型) TC: 中间摇摆式 TC-M: 摇摆附脚座 <b>Fixed Type</b> Blank: Standard Double LB: Front and back fixed FA: Front cover Fixation(Front flange) FB: Back cover Fixation(Rear flange) CA: Back cover Fixation(Single Clevis) CB: Back cover Fixation(Double Clevis) TC: Centre Turnnion TC-M: Swinging type attaching foot seat</p>
---	--	---------------------------	-----------------------------	---	---	--

规格  
Specifications

内径 Bore (mm)	32	40	50	63	80	100
动作形式 Operation	复动型 Double acting					
工作介质 Fluid	空气 Air					
固定形式 Mounting	基本型 (Basic)、FA、FB、CA、CB、LB、TC、TC-M					
使用压力范围 Operating pressure	1.0~9.0Kgf/cm <sup>2</sup>					
保证耐压力 Proof pressure	13.5Kgf/cm <sup>2</sup>					
使用温度范围 Operating temperature	0~70°C					
使用速度范围 Operating speed range	50~800mm/s					
缓冲型式 Cushioning	可调式缓冲 / Adjustable cushioning					
缓冲行程 Cushioning stroke	20			26		
接管口径 Port size	G1/8"	G1/4"		G3/8"		G1/2"

SCD、SCJ的固定型式为：FA、FB、LB、TC和TC-M型。  
SCD,SCJ's fixed types are FA, FB, LB, TC and TC-M.

## 行程 Stroke

内径 Bore (mm)	标准行程 Standardstroke	最大行程 Max.Stroke	允许行程 Allowable stroke
32	25 50 75 80 100 125 150 160 175 200 250 300 350 400 450 500	1000	2000
40	25 50 75 80 100 125 150 160 175 200 250 300 350 400 450 500 600 700 800	1200	2000
50	25 50 75 80 100 125 150 160 175 200 250 300 350 400 450 500 600 700 800 900 1000	1200	2000
63	25 50 75 80 100 125 150 160 175 200 250 300 350 400 450 500 600 700 800 900 1000	1500	2000
80	25 50 75 80 100 125 150 160 175 200 250 300 350 400 450 500 600 700 800 900 1000	1500	2000
100	25 50 75 80 100 125 150 160 175 200 250 300 350 400 450 500 600 700 800 900 1000	1500	2000

## 气缸理论出力表 Theoretical force

气缸内径 Bore size	32		40		50		63		80		100		
活塞杆外径 Rod diameter	12		16		20		20		25		25		
动作型式 Operation	复动型 Double acting		复动型 Double acting		复动型 Double acting		复动型 Double acting		复动型 Double acting		复动型 Double acting		
	压测 Out	拉测 In	压测 Out	拉测 In	压测 Out	拉测 In	压测 Out	拉测 In	压测 Out	拉测 In	压测 Out	拉测 In	
受压面积 Piston area(cm <sup>2</sup> )	8.04	6.90	12.56	10.55	19.63	16.49	31.17	28.03	50.6	45.36	78.53	73.62	
空气压力 Air Pressure (Kgf/cm <sup>2</sup> )	1	8.04	6.90	12.56	10.55	19.63	16.49	31.17	28.03	50.6	45.36	78.53	73.62
	2	16.8	13.80	25.12	21.10	39.26	32.98	62.34	56.06	100.52	90.72	157.06	147.24
	3	24.12	20.70	37.68	31.65	58.89	49.47	93.51	84.09	150.78	136.08	235.59	220.86
	4	32.16	27.60	50.24	42.20	78.52	65.96	124.68	112.12	201.04	181.44	314.12	294.48
	5	40.20	34.50	62.80	52.75	98.15	82.45	155.85	140.15	251.30	226.80	392.65	368.10
	6	48.24	41.40	75.36	63.30	117.78	98.94	187.02	168.18	301.56	272.16	471.18	441.72
	7	56.28	48.30	87.92	73.85	137.41	115.43	218.19	196.21	351.82	317.52	549.71	515.34
	8	64.32	55.20	100.48	84.40	157.04	131.92	249.36	224.24	402.08	362.68	628.24	588.96
	9	72.36	62.10	113.04	94.95	176.67	148.41	280.53	252.27	452.34	408.24	706.77	662.58

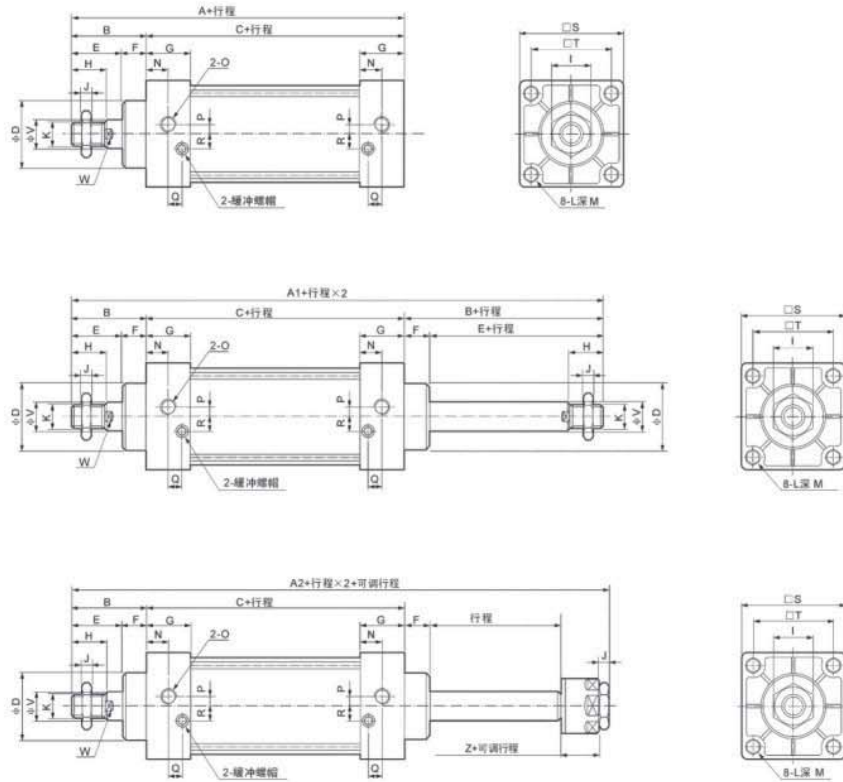
# SC、SU系列标准气缸

## SC、SU Series Standard Cylinder

### 尺寸

### Dimensions

SC系列(Series)



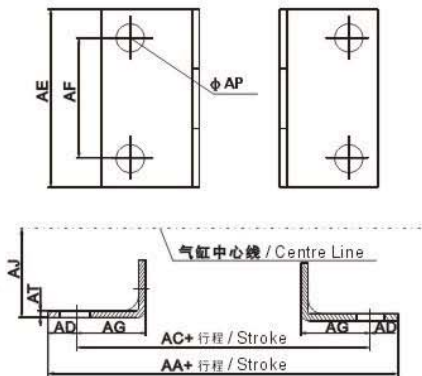
内径/符号 Bore size/Symbol	A	A1	A2	B	C	D	E	F	G	H	I	J	K
23	140	187	182	147	93	28	32	15	27.5	22	17	6	M10×1.25
40	142	191	185	48	93	32	34	15	27.5	24	17	7	M12×1.25
50	150	207	196	57	93	38	42	15	27.5	32	23	8	M16×1.5
63	153	210	199	57	96	38	42	15	27.5	32	23	8	M16×1.5
80	183	258	243	75	108	47	54	21	33	40	26	10	M20×1.5
100	189	264	249	75	114	47	54	21	33	40	26	10	M20×1.5
内径/符号 Bore size/Symbol	L	M	N	O	P	Q	R	S	T	V	W	Z	
23	M6×1	9.5	13.5	G1/8'	3.5	7.5	7	45	33	12	12	21	
40	M6×1	9.5	1.5	G1/4'	6	8.2	9	50	37	16	14	21	
50	M6×1	9.5	13.5	G1/4'	8.5	8.2	9	62	47	20	17	23	
63	M8×1.25	9.5	13.5	G3/8'	7	8.2	8.5	75	56	20	17	23	
80	M10×1.5	11.5	16.5	G3/8'	10	9.5	14	94	70	25	22	29	
100	M10×1.5	11.5	16.5	G1/2'	11	9.5	14	112	84	25	22	29	



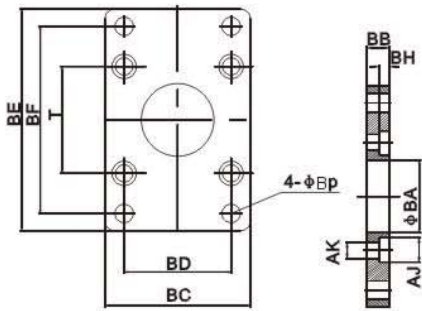
**SC 系列标准气缸附件**  
**SC Series Standard Cylinder Accessory**

尺寸  
Dimensions

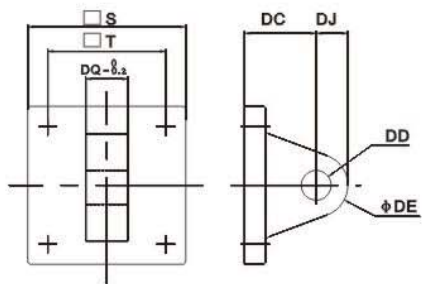
LB 脚架  
LB foot rest



FA,FB法兰  
FA,FB flange



CA 单耳环  
CA single clevis



符号/缸径 Symbol/Bore	32	40	50	63	80	100
AA	153	169	173	184	200	210
AC	134	140	149	158	168	174
AD	9.5	14.5	12	12	16	18
AE	50	57	68	80	97	112
AF	33	36	47	56	70	84
AG	20.5	23.5	28	31	30	30
AJ	28	30	36.5	41	49	57
AP	9	12	12	12	14	14
AT	3.2	3.2	3.2	3.2	4	4

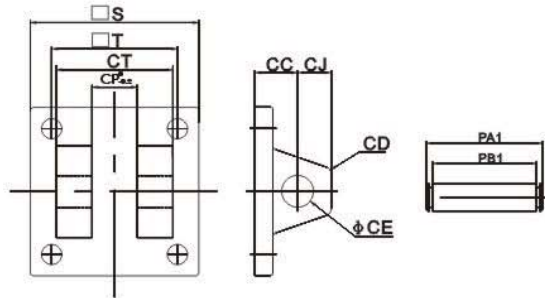
符号/缸径 Symbol/Bore	32	40	50	63	80	100
BA	28.3	32.3	38.3	38.3	47.3	47.3
BB	10	10	10	12	16	16
BC	47	52	65	76	95	115
BD	33	36	47	56	70	84
BE	72	84	104	116	143	162
BF	58	70	86	98	119	138
BH	6.5	6.5	6.5	8.5	10.5	10.5
AJ	10.5	10.5	13.5	13.5	16.6	16.6
AK	6.5	6.5	8.5	8.5	10.5	10.5
BP	7	7	9	9	12	12
T	33	37	47	56	70	84

符号/缸径 Symbol/Bore	32	40	50	63	80	100
S	48	50	62	75	94	112
T	33	37	47	56	70	84
DC	34	34	34	34	48	48
DD	14	14	15	15	20	20
DE	12	14	14	14	20	20
DJ	14	14	15	15	20	20
DQ	16	20	20	20	32	32

# Sc系列标准气缸 SC Series Standard Cylinder

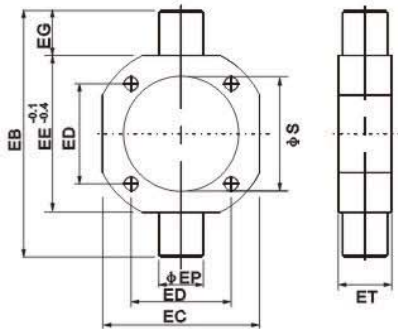
## 尺寸 Dimensions

CA 双耳环/CA double clevis



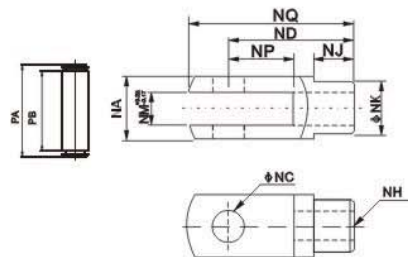
符号/缸径 Symbol/Bore	32	40	50	63	80	100
CC	19	19	19	19	32	32
CD	5	5	3	2	8	8
CE	12	14	14	14	20	20
CJ	13	13	15	15	21	21
CP	16	20.5	20.3	20.3	32.3	32.3
CT	32	44	52	52	64	64
PA1	41	51.8	60.3	60.3	73.8	73.8
PB1	33.5	45.8	54	54	65.5	65.5
S	48	50	62	75	94	94
T	33	37	47	56	70	70

TC 中摆/TC centre turnion

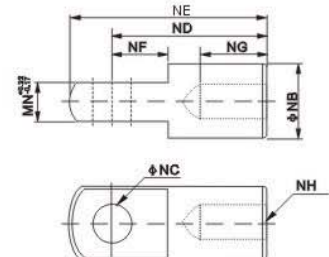


符号/缸径 Symbol/Bore	32	40	50	63	80
EB	113	126	138	164	182
EC	63	76	88	114	132
ED	37	47	56	70	84
EE	63	76	88	114	132
EG	25	25	25	25	25
EP	25	25	25	25	25
ET	30	30	30	35	40
S	45.5	55.5	68.5	87.5	107.5

Y joint



I joint



符号/缸径 Symbol/Bore	NA	NB	NC	ND	NE	NF	NG	NH	NJ	NK	NM	NP	NQ	PA	PB
32	19	20	10	40	52	15	20	M10×1.25	12	18	10	20	52	26.2	20
40	25	24	12	48	67	24	20	M12×1.25	20	23	12	24	62	32.8	26.5
50	32	32	16	64	89	32	23	M16×1.5	22	30	16	32	83	39.3	33
63	32	32	16	64	89	32	23	M16×1.5	22	30	16	32	83	39.3	33
80	44.4	40	20	80	112	40	30	M20×1.5	30	39	20	40	105	53.3	45
100	44.4	40	20	80	112	40	30	M20×1.5	30	39	20	40	105	53.3	45



## MAL系列铝合金迷你气缸 MAL Series Aluminum Alloy Mini Cylinder



### 订购码 Ordering code



### 规格 Specifications

内径 Bore (mm)	32	40	50	63	80
动作形式 Operation	复动型或单向型 Double acting				
工作介质 Fluid	空气 Air				
固定形式 Mounting	基本型 (Basic)、FA、LB、TC、SDB型(type)				
使用压力范围 Operating pressure	1.0~9.0Kgf/cm <sup>2</sup>				
保证耐压力 Proof pressure	13.5Kgf/cm <sup>2</sup>				
使用温度范围 Operating temperature	0~70℃				
使用速度范围 Operating speed range	50~800mm/s				
缓冲型式 Cushioning	缓冲垫片 spacing piece to buffer				
接管口径 Port size	M5×0.8	G1/8"			

## MAL系列铝合金迷你气缸 MAL Series Aluminum Alloy Mini Cylinder

### 行程 Stroke

内径 Bore (mm)	标准行程 Standard stroke	最大行程 Max.Stroke	允许行程 Allowable stroke
32	25 50 75 80 100 125 150 160 175 200 250 300 350 400 450 500	1000	2000
40	25 50 75 80 100 125 150 160 175 200 250 300 350 400 450 500 600 700 800	1200	2000
50	25 50 75 80 100 125 150 160 175 200 250 300 350 400 450 500 600 700 800 900 1000	1200	2000
63	25 50 75 80 100 125 150 160 175 200 250 300 350 400 450 500 600 700 800 900 1000	1500	2000
80	25 50 75 80 100 125 150 160 175 200 250 300 350 400 450 500 600 700 800 900 1000	1500	2000
100	25 50 75 80 100 125 150 160 175 200 250 300 350 400 450 500 600 700 800 900 1000	1500	2000

### 气缸理论出力表 Theoretical force

气缸内径 Bore size	32		40		50		63		80		100		
活塞杆外径 Rod diameter	12		16		20		20		25		25		
动作型式 Operation	复动型 Double acting		复动型 Double acting		复动型 Double acting		复动型 Double acting		复动型 Double acting		复动型 Double acting		
	压测 Out	拉测 In	压测 Out	拉测 In	压测 Out	拉测 In	压测 Out	拉测 In	压测 Out	拉测 In	压测 Out	拉测 In	
受压面积 Piston area(cm <sup>2</sup> )	8.04	6.90	12.56	10.55	19.63	16.49	31.17	28.03	50.6	45.36	78.53	73.62	
空气压力 Air Pressure (Kgf/cm <sup>2</sup> )	1	8.04	6.90	12.56	10.55	19.63	16.49	31.17	28.03	50.6	45.36	78.53	73.62
	2	16.8	13.80	25.12	21.10	39.26	32.98	62.34	56.06	100.52	90.72	157.06	147.24
	3	24.12	20.70	37.68	31.65	58.89	49.47	93.51	84.09	150.78	136.08	235.59	220.86
	4	32.16	27.60	50.24	42.20	78.52	65.96	124.68	112.12	201.04	181.44	314.12	294.48
	5	40.20	34.50	62.80	52.75	98.15	82.45	155.85	140.15	251.30	226.80	392.65	368.10
	6	48.24	41.40	75.36	63.30	117.78	98.94	187.02	168.18	301.56	272.16	471.18	441.72
	7	56.28	48.30	87.92	73.85	137.41	115.43	218.19	196.21	351.82	317.52	549.71	515.34
	8	64.32	55.20	100.48	84.40	157.04	131.92	249.36	224.24	402.08	362.68	628.24	588.96
	9	72.36	62.10	113.04	94.95	176.67	148.41	280.53	252.27	452.34	408.24	706.77	662.58

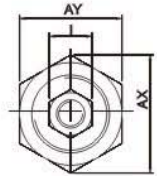
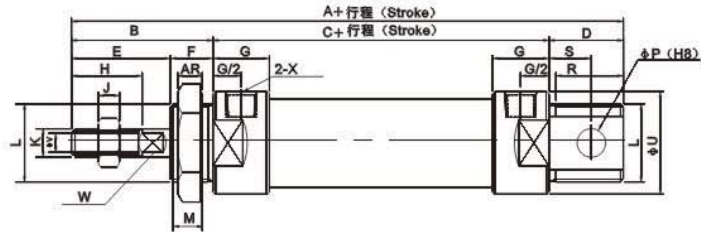


# MAL系列铝合金迷你气缸

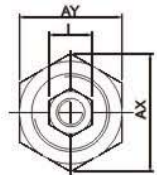
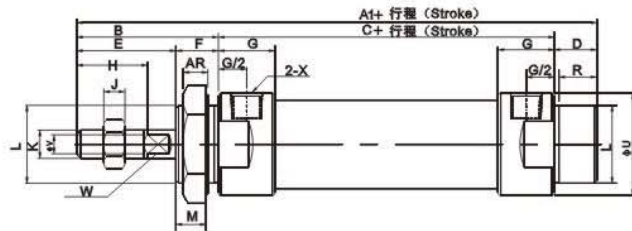
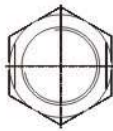
## MAL Series Aluminum Alloy Mini Cylinder

### 尺寸 Dimensions

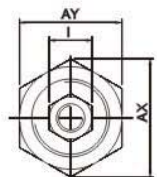
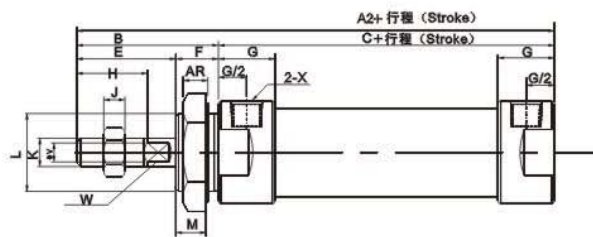
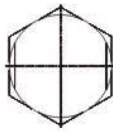
MAL-CA



MAL-CM



MAL-U



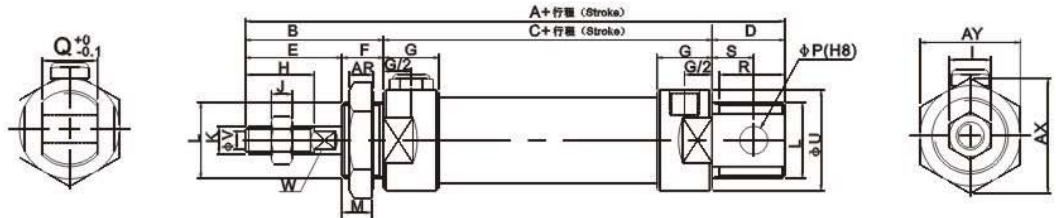
缸径/符号 Bore/Symbol	A	A1	A2	B	C	D	D1	E	F	G	H	I	J	K
16	104	104	90	38	52	15	15	24	14	11	16	10	5	M6×1
20	131	122	110	40	70	21	12	28	12	16	20	12	6	M8×1.25
25	135	128	114	44	70	21	14	30	14	16	22	17	6	M10×1.25
32	141	128	114	44	70	27	14	30	14	16	22	17	6	M10×1.25
40	165	152	138	46	92	27	14	32	14	22	24	17	7	M12×1.25
缸径/符号 Bore/Symbol	L	M	P	Q	R	R1	S	U	V	W	X	AR	AX	AY
16	M16×1.5	8	6	12	13	13	6	20	6	/	M5	7	24	27.5
20	M22×1.5	10	8	16	19	12	12	29	8	6	G1/8"	7	33	29
25	M22×1.5	12	8	16	19	14	12	34	10	8	G1/8"	7	33	29
32	M24×2.0	12	10	16	25	14	15	39.5	12	10	G1/8"	8	37	32
40	M30×2.0	12	12	20	25	14	15	49.5	16	14	G1/4"	9	47	41

# MAL系列铝合金迷你气缸

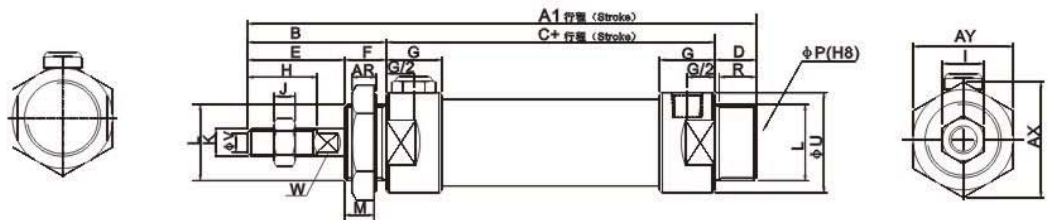
## MAL Series Aluminum Alloy Mini Cylinder

### 尺寸 Dimensions

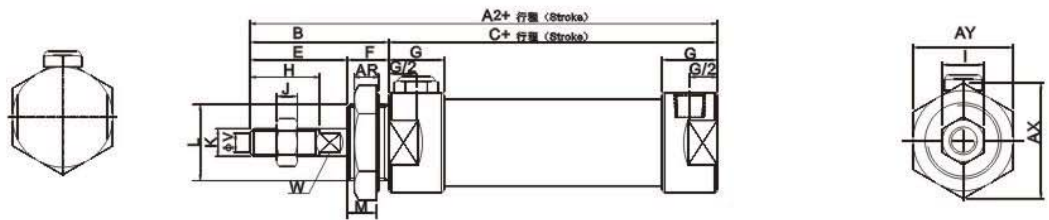
MSAL-CA



MSAL-CM



MSAL-U



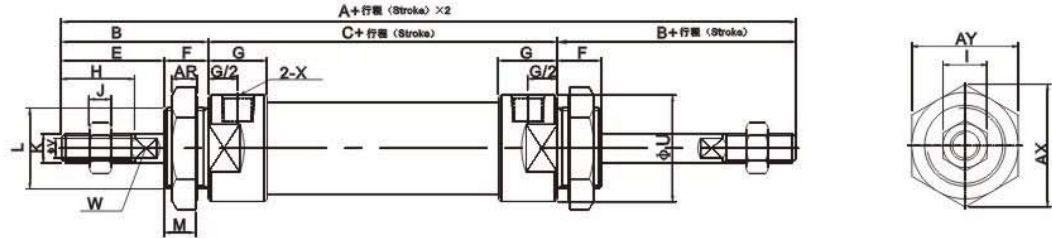
符号 Symbol	A		A1		A2		B	C		D	D1	E	F	G	H	I	J
	0~50	51~100	0~50	51~100	0~50	51~100		0~50	51~100								
20	131	156	122	147	110	135	40	70	95	21	12	28	12	16	20	12	6
25	135	160	128	153	114	139	44	70	95	21	14	30	14	16	22	17	6
32	141	166	128	153	114	139	44	70	95	27	14	30	14	16	22	17	6
40	165	190	152	177	138	163	46	92	117	27	14	32	14	22	24	17	7
缸径/符号 Bore/Symbol	K		L		M	P	Q	R	R1	S	U	V	W	X	AR	AX	AY
20	M8×1.25		M22×1.5		10	8	16	19	12	12	29	8	6	G1/8	7	33	29
25	M10×1.25		M22×1.5		12	8	16	19	14	12	34	10	8	G1/8	7	33	29
32	M10×1.25		M24×2.0		12	10	16	25	14	15	39.5	12	10	G1/8	8	37	32
40	M12×1.25		M30×2.0		12	12	20	25	14	15	49.5	16	14	G1/1	9	47	41

# MAL系列铝合金迷你气缸

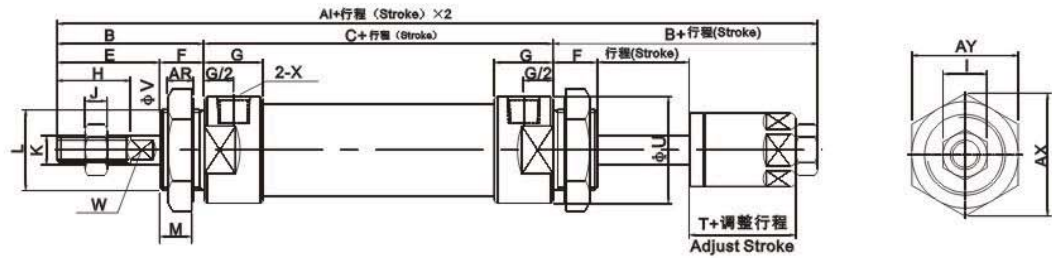
## MAL Series Aluminum Alloy Mini Cylinder

### 尺寸 Dimensions

MALD →



MALJ →



缸径/符号 Bore/Symbol	A	A1	B	C	E	F	G	H	I	J	K
20	131	122	40	70	28	12	16	20	12	6	M8 × 1.25
25	135	128	44	70	30	14	16	22	17	6	M10 × 1.25
32	141	128	44	70	30	14	16	22	17	6	M10 × 1.25
40	165	152	46	92	32	14	22	24	17	7	M12 × 1.25
缸径/符号 Bore/Symbol	L	M	U	V	W	X	AR	AX	AY	T	
20	M22 × 1.5	10	29	8	6	G1/8'	7	33	29	19	
25	M22 × 1.5	12	34	10	8	G1/8'	7	33	29	21	
32	M24 × 2.0	12	39.5	12	10	G1/8'	8	37	32	21	
40	M30 × 2.0	12	49.5	16	14	G1/4'	9	47	41	21	



**SDA 系列薄型气缸**  
SDA Series Thin Type Cylinder



订购码  
Ordering code

<b>SDA</b>	<b>20</b> × <b>30</b>	-	<b>S</b>	<b>LB</b>
<p><b>型号</b> SDA: 复动型 SSA: 单动伸出型 STA: 单动引入型 SDAD: 双轴型 <b>Type</b> SDA: Double acting SSA: Single acting extrusion type STA: Single acting drawing-in type SDAD: Double-shaft type</p>	<p><b>缸径</b> Bore</p>	<p><b>行程</b> stroke</p>	<p><b>磁石代号</b> S: 有磁石 空白: 没有磁石 <b>Magnet</b> S: with magnet Blank: Without magnet</p>	<p><b>牙螺型式</b> 空白: 基本型(内螺纹) B: 外螺纹 N: 无螺纹 <b>Thread</b> Blank: Female thread B: Male thread N: No thread</p>

规格  
Specifications

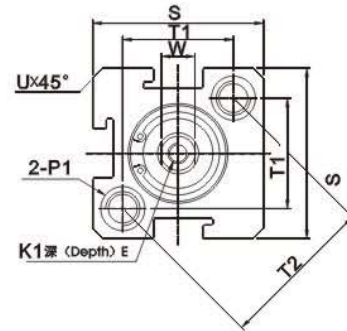
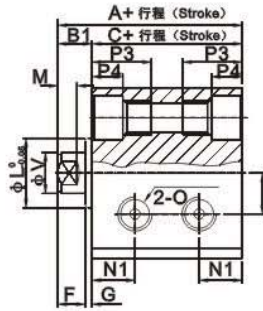
缸径 Bore (mm)	12	16	20	25	32	40	50	63	80	100
<b>动作方式</b> Operation	复动型 Double acting									
	单动伸出型 单动引入型 Single acting extrusion type Single acting drawing-in type							-		
<b>工作介质</b> Fluid	空气 Air									
<b>使用压力范围</b> Operating pressure	复动型 Double acting		1 ~ 9.0Kgf/cm <sup>2</sup>							
	单动型 Single acting		2.5 ~ 9.0Kgf/cm <sup>2</sup>							
<b>耐压试验压力</b> Proof pressure	10.5Kgf/cm <sup>2</sup>									
<b>工作温度</b> Operating temperature	0 ~ 70°C									
<b>使用速度范围</b> Operating piston speed	复动型 Double acting		30 ~ 500mm/s			30 ~ 350mm/s		30 ~ 250mm/s		
	单动型 Single acting		100 ~ 500mm/s							
<b>接管口径</b> Port size	GM5 × 0.8				G1/8"		G1/4"		G3/8"	

行程  
Stroke

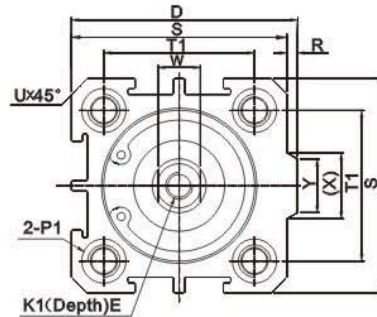
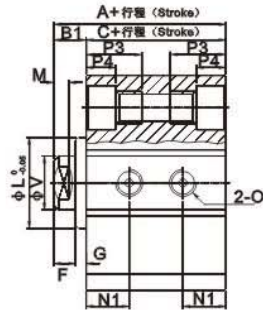
缸径 Bore(mm)	12	16	20	25	32	40	50	63	80	100
复动型 Double acting	不附磁 Without magnet	5 ~ 60mm 每5mm一级 Every 5mm is grouped as one grade	5 ~ 85mm 每5mm一级 Every 5mm is grouped as one grade	5 ~ 90mm 每5mm一级 Every 5mm is grouped as 90mm	100 ~ 110mm 每5mm一级 Every 5mm is grouped as one grade	5 ~ 90mm 每5mm一级 Every 5mm is grouped as one grade		100 ~ 130mm 每5mm一级 Every 5mm is grouped as one grade		
	附磁型 With magnet	5 ~ 50mm 每5mm一级 Every 5mm is grouped as one grade	5 ~ 75mm 每5mm一级 Every 5mm is grouped as one grade	5 ~ 90mm 每5mm一级 Every 5mm is grouped as one grade	100mm	5 ~ 90mm 每5mm一级 Every 5mm is grouped as one grade		100 ~ 120mm 每5mm一级 Every 5mm is grouped as one grade		
单动型 Single acting	不附磁 Without magnet	5 ~ 30mm 每5mm一级 Every 5mm is grouped as one grade				5 ~ 30mm 每5mm一级 Every 5mm is grouped as one grade		-		
	附磁型 With magnet	5 ~ 30mm 每5mm一级 Every 5mm is grouped as one grade				5 ~ 30mm 每5mm一级 Every 5mm is grouped as one grade		-		
最大行程 / Max.stroke	60mm		100mm		120mm		130mm			

# 尺寸 Dimensions

SDA12-16



SDA20-100



型号 model 缸径/符号 Bore/Symbol	标准型 Standard type			附磁型 With magnet			D	E	F	G	K1	L	M	N1	N3	O	
	A	B1	C	A	B1	C											
12	22	5	17	32	5	27	-	6	4	1	M3X0.5	10.2	2.8	6.3	6	M5X0.8	
16	24	5.5	18.5	34	5.5	28.5	-	6	4	1.5	M3X0.5	11	2.8	7.3	6.5	M5X0.8	
20	25	5.5	19.5	35	5.5	29.5	36	8	4	1.5	M4X0.7	16	2.8	7.5	-	M5X0.8	
25	27	6	21	37	6	31	42	10	4	2	M5X0.8	17	2.8	8	-	M5X0.8	
32	31.5	7	24.5	41.5	7	34.5	50	12	4	3	M6X1	22	2.8	9	-	G1/8	
40	33	7	26	43	7	36	58.5	12	4	3	M8X1.25	28	2.8	10	-	G1/8	
50	37	9	28	47	9	38	71.5	15	5	4	M10X1.5	38	2.8	10.5	-	G1/4	
63	41	9	32	51	9	42	84.5	15	5	4	M10X1.5	40	2.8	11.8	-	G1/4	
80	52	11	41	62	11	51	104	15	6	5	M14X1.5	45	4	14.5	-	G3/8	
100	53	12	41	63	12	51	124	18	7	5	M14X1.5	45	4	20.5	-	G3/8	
缸径/符号 Bore/Symbol	P1						P3	P4	R	S	T1	T2	U	V	W	X	Y
12	双边Double side: Φ6.5 牙CogM5 × 0.8 通径Through hot: Φ4.2						12	4.5	-	25	16.2	23	16	6	5	-	-
16	双边Double side: Φ6.5牙 / CogM5 × 0.8通径 Through hot: Φ4.2						12	4.5	-	29	19.8	28	16	6	5	-	-
20	双边Double side: Φ6.5牙 / CogM5 × 0.8通径 Through hot: Φ4.2						14	4.5	2	34	24	-	21	8	6	11.3	10
25	双边Double side: Φ8.2牙 / CogM6 × 1.0通径 Through hot: Φ4.6						15	5.5	2	40	28	-	3.1	10	8	12	10
32	双边Double side: Φ8.2牙 / CogM6 × 1.0通径 Through hot: Φ4.6						16	5.5	6	44	34	-	2.15	12	10	18.3	15
40	双边Double side: Φ10牙 / CogM8 × 1.25通径 Through hot: Φ6.5						20	7.5	6.5	52	40	-	2.25	16	14	21.3	16
50	双边Double side: Φ11牙 / CogM5 × 1.25通径 Through hot: Φ6.5						25	8.5	9.5	62	48	-	4.14	20	17	30	20
63	双边Double side: Φ11牙 / CogM5 × 1.25通径 Through hot: Φ6.5						25	8.5	9.5	75	60	-	3.15	20	17	28.7	20
80	双边Double side: Φ14牙 / CogM5 × 1.75通径 Through hot: Φ9.2						25	10.5	10	94	74	-	3.65	25	22	36	26
100	双边Double side: Φ17.5牙 / CogM5 × 1.75通径 Through hot: Φ11.3						30	13	10	114	90	-	3.65	32	22	35	26

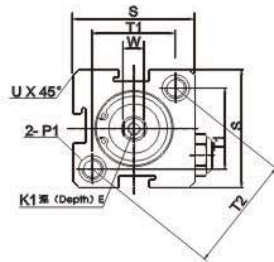
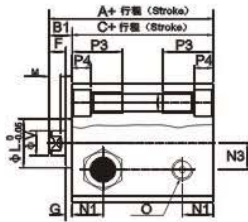
# SDA 系列薄型气缸

## SDA Series Thin Type Cylinder

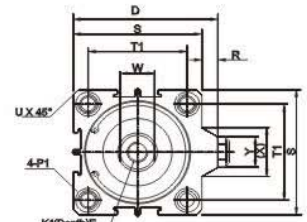
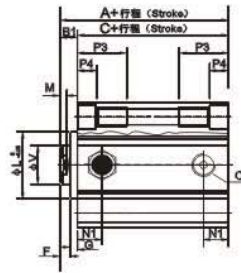
### 尺寸

### Dimensions

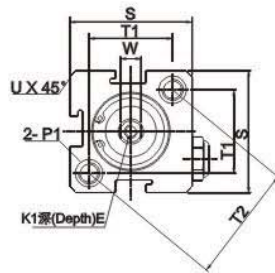
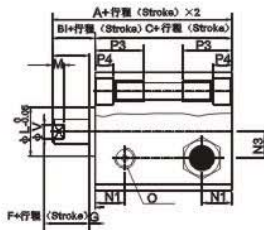
SSA12-16



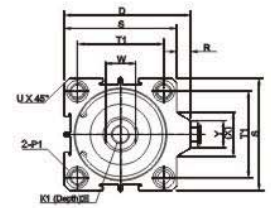
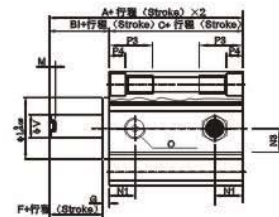
SSA20-40



STA12-16



STA20-40

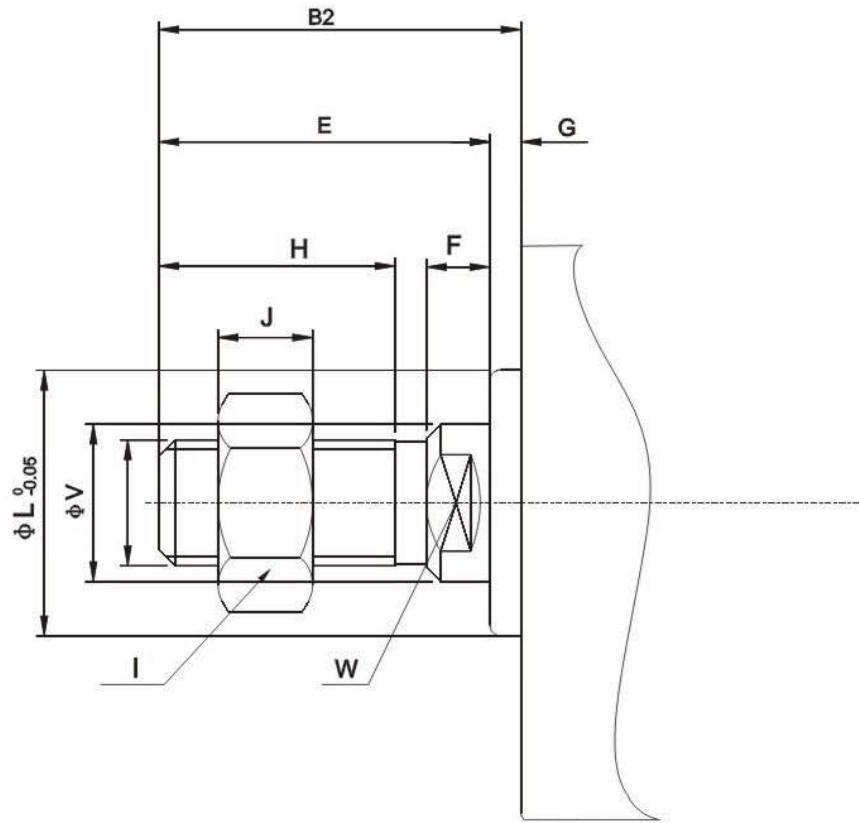


型号 model 缸径/符号 Bore/Symbol 行程/Stroke	标准型 Standard type			附磁型 With magnet						D	E	F	G	K1	L	M	N1	N3	
	A		B1	C		A		B1	C										
	≤10	>10		≤10	>10	≤10	>10		≤10										>10
12	32	42	5	27	37	42	52	5	37	47	-	6	4	1	M3×0.5	10.2	2.8	6.3	6
16	34	44	5.5	28.5	38.5	44	54	5.5	38.5	48.5	-	6	4	1.5	M3×0.5	11	2.8	7.6	6.5
20	35	45	5.5	29.5	39.5	45	55	5.5	39.5	49.5	36	8	4	1.5	M4×0.7	16	2.8	7.5	-
25	37	47	6	34	41	47	57	6	41	51	42	10	4	2	M5×0.8	17	2.8	8	-
32	41.5	51.5	7	34.5	44.5	51.5	61.5	7	44.5	54.5	50	12	4	3	M6×1	22	2.8	9	-
40	43	53	7	36	46	53	63	7	46	56	58.5	12	4	3	M8×1.25	28	2.8	10	-
缸径/符号 Bore/Symbol	O	P1						P3	P4	R	S	T1	T2	U	V	W	X	Y	
	12	M5×08	双边Double Side: Φ6.5 牙Cog:M5×0.8 通径Through hot: Φ4.2						12	4.5	-	25	16.2	23	16	6	5	-	-
16	M5×08	双边Double Side: Φ6.5 牙Cog:M5×0.8 通径Through hot: Φ4.2						12	4.5	-	29	19.8	28	1.6	6	5	-	-	
20	M5×08	双边Double Side: Φ6.5 牙Cog:M5×0.8 通径Through hot: Φ4.2						14	4.5	2	34	24	-	21	8	6	11.3	10	
25	M5×08	双边Double Side: Φ8.2 牙Cog:M6×1.0 通径Through hot: Φ4.6						15	5.5	2	40	28	-	3.1	10	8	12	10	
32	G1/8	双边Double Side: Φ8.2 牙Cog:M6×1.0 通径Through hot: Φ4.6						16	5.5	6	44	34	-	2.15	12	10	18.3	15	
40	G1/8	双边Double Side: Φ10 牙Cog:M8×1.25 通径Through hot: Φ6.5						20	7.5	6.5	52	40	-	2.25	16	14	21.3	16	

**SDA 系列薄型气缸**  
**SDA Series Thin Type Cylinder**

尺寸  
 Dimensions

SDA,SSA,STA



缸径/符号 Bore/Symbol	B2	E	F	G	H	I	J	K2	L	M	V	W
12	17	16	4	1	10	8	4	M5×0.8	10.2	2.8	6	5
16	17.5	16	4	1.6	10	8	4	M5×0.8	11	2.8	6	5
20	20.5	19	4	1.5	13	10	5	M6×1.0	16	2.8	8	6
25	23	21	4	2	15	12	6	M10×1.25	17	2.8	10	8
32	25	22	4	3	15	17	6	M14×1.5	22	2.8	12	10
40	35	32	4	3	25	19	8	M18×1.5	28	2.8	16	14
50	37	33	5	4	25	27	11	M18×1.5	39	2.8	20	17
63	37	33	5	4	25	27	11	M22×1.5	40	2.8	20	17
80	44	39	6	5	30	32	13	M22×1.5	45	4	25	22
100	50	45	7	5	35	36	13	M26×1.5	45	4	32	27



**DNC 系列气缸**  
DNC Series Cylinder



订购码  
Ordering code

<b>DNC</b>	<b>63</b> × <b>50</b>	<b>PPV</b>	-	<b>A</b>	-	<b>S2</b>
<p><b>型号</b> DNC:基本型 HNC:轴向脚座 FNC:前后法兰 ZNCF:前后轴销 ZNCM:中间轴销 SNCB:单耳座 SNCL:双耳座</p> <p><b>Mounting</b> DNC:Basic type HNC:Foot mounting FNC:Flange mounting ZNCF:Pin mounting ZNCM: SNCB:Single clevis SNCL:Double clevis</p>	<p><b>缸径</b> Bore</p>	<p><b>行程</b> stroke</p>	<p><b>缓冲</b> 空白: 无缓冲 PPV: 带缓冲</p> <p><b>Cushioning</b> Blank:Without cushioning PPV:With cushioning</p>	<p><b>磁石</b> Magnet Blank:Without magnet A:With magnet</p>		<p>S2:双活塞杆 K2:加长外螺纹 K3:前端内螺纹 K7:外标准螺纹 K8:加长活塞杆</p> <p>S2:Through piston rod K2:Extend male piston rod thread K3:Female piston rod thread K7:Piston rod with external hexagon K8:Extended piston rod</p>

规格  
Specifications

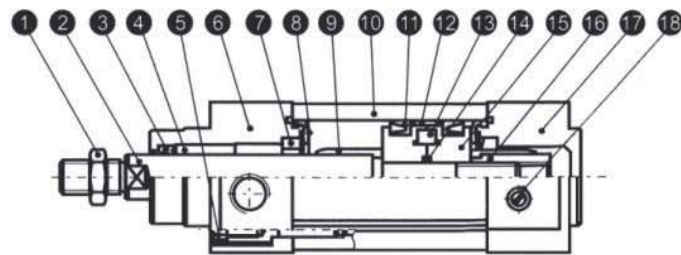
缸径 / Bore(mm)	32	40	50	63	80	100
工作介质 Fluid	经过滤的空气 / Filter air					
动作形式 Operation	复动型 / Double actining					
保证耐压力 Proof pressure	1.5MPa					
最高使用压力 Max.operating pressure	1.0MPa					
最底工作压力 Min.operating pressure	0.1MPa					
缓冲形式 Cushioning	空气缓冲 (标准) / Air cushioning(Standard)					
环境温度 Operating temperature	5~60°C					
使用速度 Operating piston speed	50~500mm/s					
行程误差 Allowable stroke tolerance	0~250 <sup>+1.0</sup> <sub>0</sub>		251~1000 <sup>+1.5</sup> <sub>0</sub>		1001~1500 <sup>+2.0</sup> <sub>0</sub>	
使用寿命 Operating life	不少于4000公里 / Not less than 4000Km					
润滑剂 Lubrication	未装备 / Not required					
接管口径 Port size	G1/8"	G1/4"		G3/8"		G1/2"



## 行程 Stroke

缸径 Bore	标准行程 Standard stroke	PPV缓冲距离 Cushioning length PPV	最大行程范围 Max.stroke range	缸径 Bore	最小行程范围 Min.stroke of proximity sensor	最大行程范围 Type of proximity sensor
32	25 40 50 80 100 125 160 200 250 320 400 500	20	10 ~ 2000	32	32	KCK2400C
40				40		
50		22		50	50	
63				63		
80		32		80	80	
100				100	100	

## 结构图 Structural drawing



## 零件部分 Component part

编号 No.	名称 Name	原料 Material	编号 No.	名称 Name	原料 Material
1	螺母 Nut	35	10	缸筒 Cylinder tube	A6063-TS
2	活塞杆 Piston rod	45	11	Y形圈 "Y" Ring	丁腈橡胶 NBR
3	轴封 Axes envelop	PU	12	衬圈 Washer	F4
4	导封 Guilde envelop	含油轴承 Sleeve bearing	13	磁环 Magnetic ring	磁塑 Magnetic plastic
5	连杆螺母 Rod bolt	35	14	O形圈 "O" Ring	丁腈橡胶 NBR
6	前端盖 Front cover	ZZnAl4-1	15	前后活塞 Front and back piastion	LY12
7	缓冲密封圈 Cushioning seal	PU	16	压紧螺母 Compaction nut	LY12
8	缓冲密封圈 Cushioning pad	PU	17	后端盖 Back cover	ZZnAl4-1
9	缓冲活塞 Cushioning piston	POM	18	调节阀针 Adjustable valve pin	HPb59-1



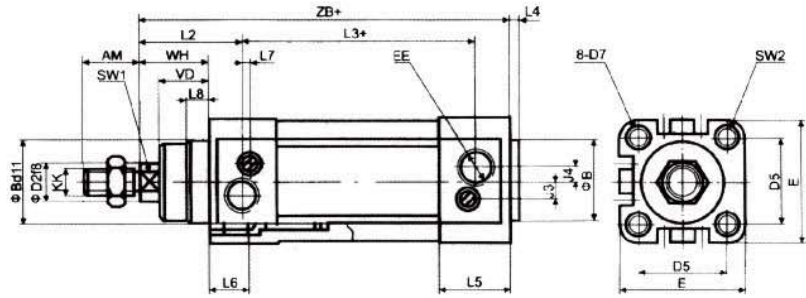
# DNC 系列气缸

## DNC Series Cylinder

### 尺寸

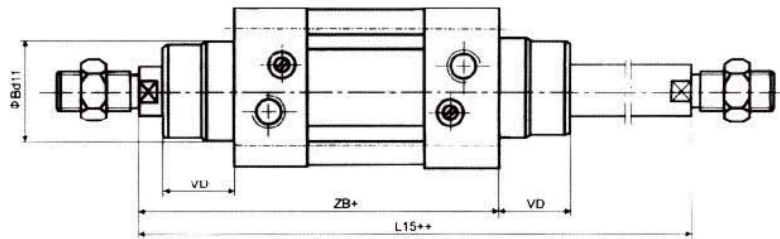
### Dimensions

基本型  
Basic type  
DNC...PPV-A



缸径 Bore	AM	B	D2	D5	D7	E	EE (G)	J3	J4	KK	L2	L3	L4	L5	L6	L7	L8	SW1	2VD	VD	WH	ZB
32	22	30	12	32.5	M6	45	1/8	6	5.2	M10X1.25	41.6	62.8	4	25.1	16	3.3	10	10	6	18	26	120
40	24	35	16	38	M6	54	1/4	8	6	M12X1.25	44	77	4	29.6	16	3.6	11.5	13	6	21.5	30	135
50	32	40	20	46.5	M8	64	1/4	10	8.5	M16X1.5	51	78	4	29.6	17	5.1	11.5	17	8	28	37	143
63	32	45	20	56.5	M8	75	3/8	12.4	10	M16X1.5	54	87	4	35.6	17	6.6	15	17	8	28.5	37	158
80	40	45	25	72	M10	93	3/8	12.5	8	M20X1.5	62.4	95.2	4	35.9	17	10.5	15.7	22	10	34.7	46	174
100	40	55	25	89	M10	110	1/2	11.8	10	M20X1.5	69.8	100.4	4	38.8	17	8	19.2	22	10	38.2	51	189

双活塞杆型  
Double rod cylinder type  
DNC...PPV-A

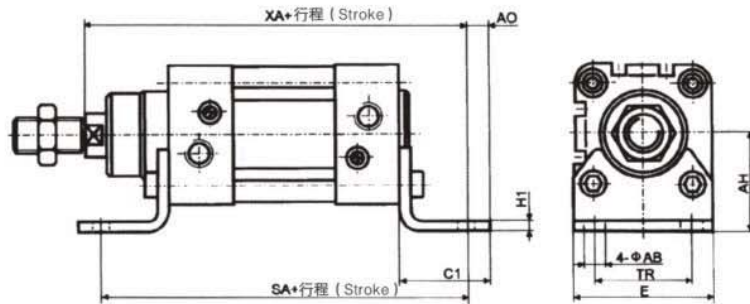


缸径 Bore	B	L15	VD	ZB
32	30	146	18	120
40	35	165	21.5	135
50	40	180	28	143
63	45	195	28.5	158
80	45	220	34.7	174
100	55	240	38.2	189
125	60	291	46	225

## DNC 系列气缸 DNC Series Cylinder

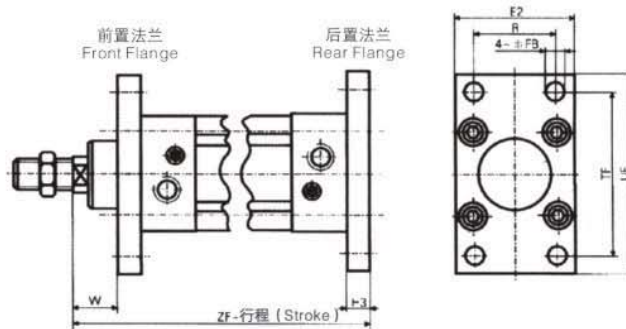
### 尺寸 Dimensions

HNC...PPV-A 轴向脚座  
HNC...PPV-A mounting



缸径 Bore	AB	AH	AO	C1	E	H1	SA	TR	XA
32	7	32	6.5	30.5	45	5	142	32	144
40	10	36	9	37	54	5	161	36	163
50	10	45	10.5	41.5	64	6	170	45	175
63	10	50	12.5	44.5	75	6	185	50	190
80	12	63	15	56	93	6	210	63	215
100	14.5	71	17.5	58.5	110	6	220	75	230

FNC...PPV-A 前,后法兰  
FNC...PPV-A flange mounting



注册：气缸与法兰的连接螺钉采用GB70-85标准件

缸径 Bore	E2	FBH13	H13	R	TF	UF	W	ZF
32	30	7	10	32	64	80	16	130
40	35	9	10	36	72	90	20	145
50	40	9	12	45	90	110	25	155
63	45	9	12	50	100	125	25	170
80	45	12	16	63	126	156	30	190
100	55	14	16	75	150	186	35	205



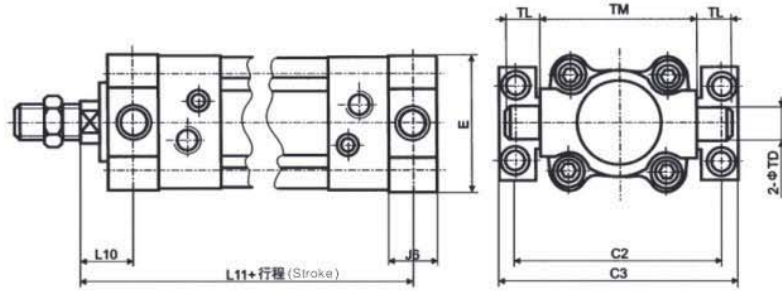
# DNC 系列气缸

## DNC Series Cylinder

### 尺寸

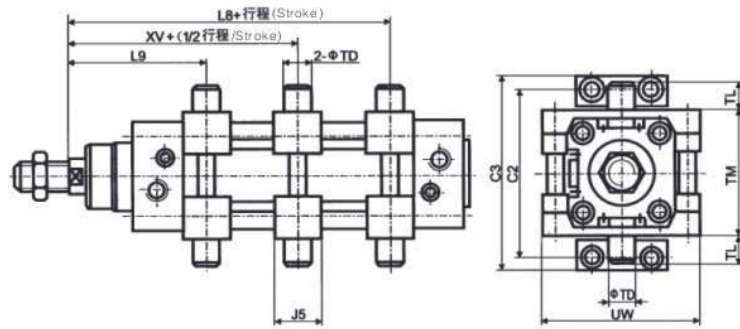
### Dimensions

ZNCF...PPV-A  
前后轴销  
Shaft pin mounting



缸径 Bore	C2	C3	E	G4	G5	J6	L10	L11	S7	S8	T4	T5	T6	T7	TDE <sub>out</sub>	TL	TM
32	71	86	45	32	46	16	18	128	6.6	11	15	18	6.8	10.5	12	12	50
40	87	105	54	36	55	20	20	145	9	15	18	21	9	12	16	16	63
50	99	117	64	36	55	25	25	155	9	15	18	21	9	12	16	16	75
68	116	136	75	42	65	25	25	170	11	18	20	23	11	13	20	20	90
80	135	156	93	42	65	32	32	188	11	18	20	33	11	13	20	20	110
100	164	189	110	50	75	32	32	208	14	20	25	28.5	13	16	25	25	132

ZNCM...PPV-A  
中间轴销  
Shaft pin middle

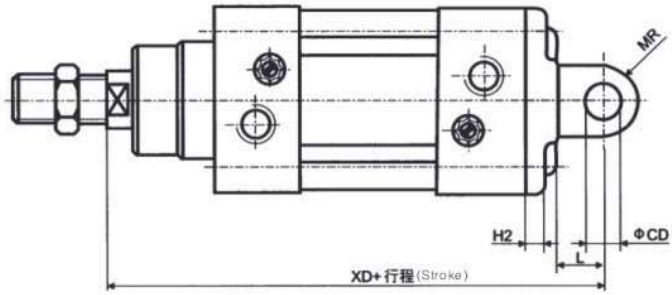
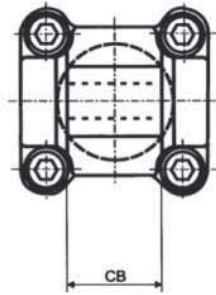


缸径 Bore	C2	C3	J5	L8	L9	TDE <sub>out</sub>	TL	TM	UW	XV
32	71	86	30	80	66	12	12	50	65	73
40	87	105	32	90	76	16	16	63	75	82.5
50	99	117	34	94	84	16	16	75	95	90
63	116	136	41	102	93	20	20	90	105	97.5
80	136	150	44	118	104	20	20	110	130	110
100	164	189	48	126	114	25	25	132	145	120

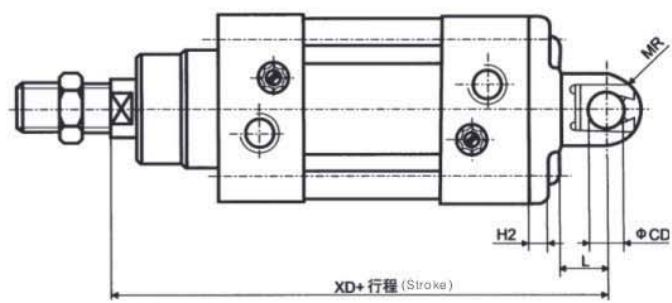
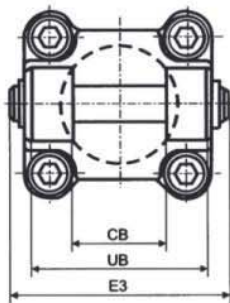
**DNC 系列气缸**  
**DNC Series Cylinder**

尺寸  
 Dimensions

SNCB...PPV-A 单耳座  
 SNCB...PPV-A single clevis



SNCL...PPV-A 双耳座  
 SNCL...PPV-A double clevis



缸径 Bore	CB	BD	E3	H2	L	MR	UB	XD
32	26	10	55	6	13	10	45	142
40	28	12	63	6	16	12	52	160
50	32	12	71	7	16	12	60	170
63	40	16	83	7	21	16	70	190
80	50	16	103	10.5	22	16	90	210
100	60	20	127	10.5	27	20	110	230

**TN 系列气缸**  
TN Series Cylinder



订购码  
Ordering code

**DNC** × **63** × **50** - **A**

系列代号  
双轴复动型  
Series code  
Double-shaft  
Double action type

缸径  
Bore  
Φ 10~Φ 32mm

行程  
stroke

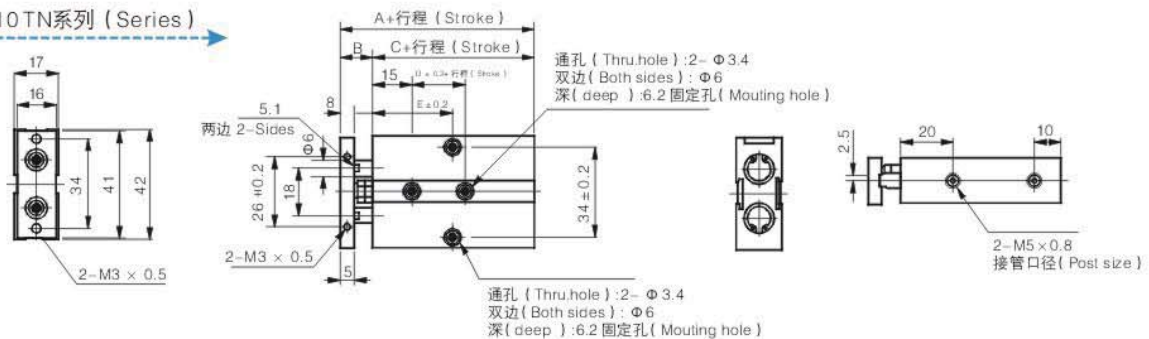
磁石  
空白: 没有磁石  
S: 内置磁环型  
Magnet  
Blank: Without magnet  
S: Attach magnet

规格  
Specifications

内径 Bore( mm)	10	16	20	25	32
动作型式 Motion pattern	复动型 Double action				
工作介质 Fluid	空气 Air				
使用压力范围 kgf/cm <sup>2</sup> Operating voltage range	1~9				
保证耐压力 kgf/cm <sup>2</sup> Proof pressure	10.9				
使用温度范围 °C Operating temperature range	-5~70				
使用速度范围 °C Operating speed range	100~500				
调差行程 mm Adjustable stroke	-10~0				
缓冲型式 Cushion type	可调缓冲 Adjustable cushion				
不回转精度 °C Non-rotating precision	0.4				0.3
接管口径 Port size	M5 × 0.8				G1/8'

尺寸  
Dimensions

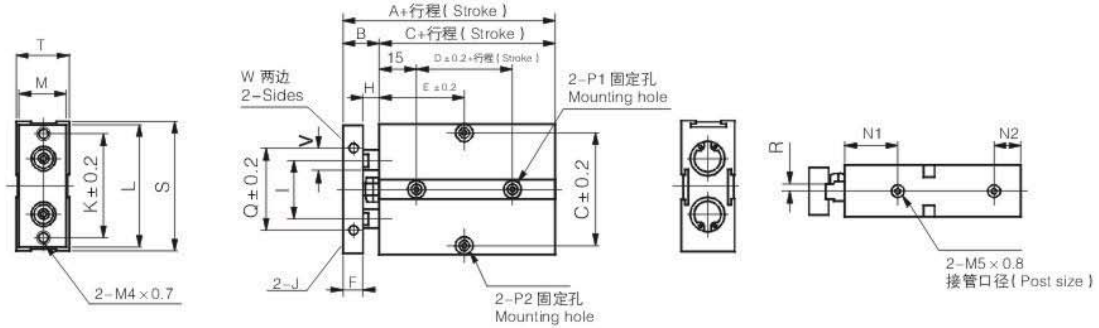
Φ10TN系列 (Series)



缸径 Bore 项目 Item	A	B	C	D	E						
					10	20	30	40	50	60	70
10	63	12	51	10	30	30	35	40	45	50	55

# 尺寸 Dimensions

## Φ16~Φ25 TN系列 (Series)

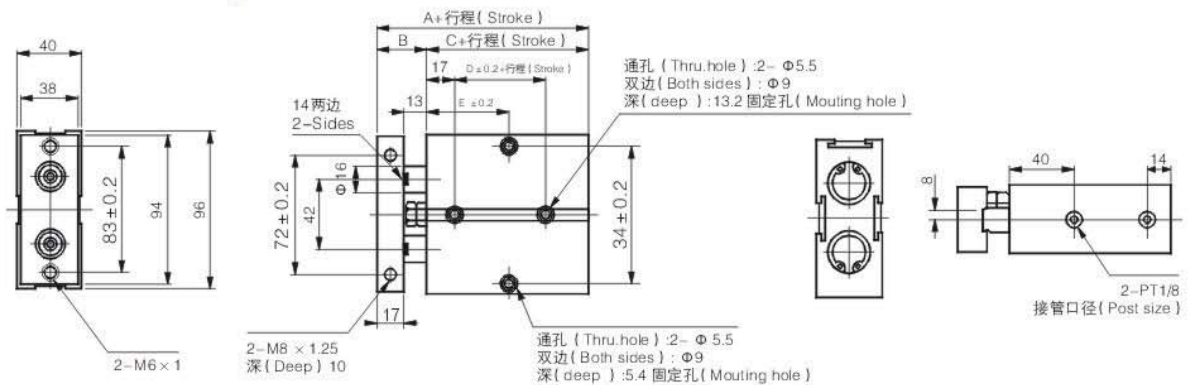


缸径 Bore	项目 Item	A	B	C	D	E															F	G	H	I
						10	20	30	40	50	60	70	80	90	100	125	150							
16		68	15	53	20	30	35	40	45	50	55	60	65	70	75	87.5	100	8	47	6	24			
20		78	20	58	20	35	35	40	45	50	55	60	65	70	75	87.5	100	10	55	9	28			
25		81	19	62	30	40	40	45	50	55	60	65	70	75	80	92.5	105	10	66	8	34			

缸径/项目 Item/Bore	J	K	L	M	N1	N2	P1	P2	Q	R	S	T	V	W
16	M4×0.7深(deep)5	47	53	20	22	11	双边(Both sides):Φ7.2 深(Deep)7.2mm 通孔(Thru.hole):Φ4.5	双边(Both sides):Φ8 深(Deep)4.4mm 通孔(Thru.hole):Φ4.5	34	3	54	21	8	6.1
20	M4×0.7深(deep)5	55	61	24	25	12	双边(Both sides):Φ7.2 深(Deep)7.2mm 通孔(Thru.hole):Φ4.5	双边(Both sides):Φ8 深(Deep)4.4mm 通孔(Thru.hole):Φ4.5	44	3.5	62	25	10	8.1
25	M4×0.7深(deep)6	66	72	29	27	12	双边(Both sides):Φ7.2 深(Deep)7.2mm 通孔(Thru.hole):Φ4.5	双边(Both sides):Φ8 深(Deep)4.4mm 通孔(Thru.hole):Φ4.5	56	7	73	30	12	10.2

## Φ32 TN系列 (Series)



缸径 Bore	项目 Item	A	B	C	D	E											
						10	20	30	40	50	60	70	80	90	100	125	150
32		108	30	78	35	45	50	55	60	65	70	75	80	85	90	102.5	115



**QGW系列无杆气缸**  
QGW series rodless cylinder



订购码  
Ordering code

**QGW** × **25** × **500** - **A** - **S2**

**系列代号**  
QGW系列无杆气缸  
Series code  
QGW series  
rodless cylinder

**缸径**  
Bore  
25

**行程**  
stroke  
500

**型号**  
空白:基本型  
A:单导杆型  
B:双导杆型  
Model  
Blank:Normal type  
A:Single guide type  
B:Double guide type

空白:不带开关  
A:带一个开关  
B:带两个开关  
Blank:without switch  
A:with a switch  
B:with two switches

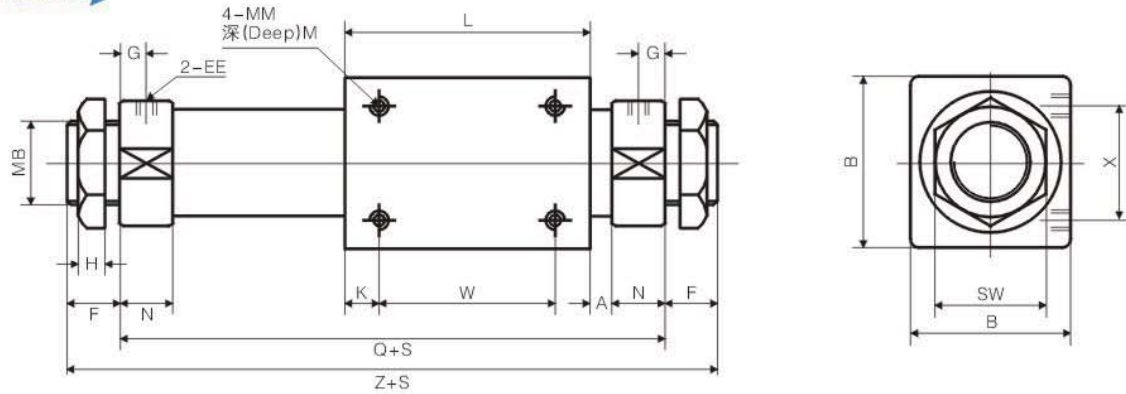
规格  
Specifications

型号 Model	基本型 Normal type		导杆型	
	QGW		QGW-A QW-B	
气缸内径 (mm) Motion pattern	Φ20、Φ25、Φ32、Φ40			
最大行程 (mm) MAX.stroke	Φ20	Φ25	Φ32	Φ40
	1500	2000	2000	2000
使用压力范围 bar Operating voltage range	1.5~8			
保证耐压力 bar Proof pressure	9.45			
使用速度范围 (mm/s) Operating speed range	200~700			
使用温度范围 °C Operating temperature range	-10~80(在不冻结状态下/Oil supplying in the unfreezing state)			
工作介质 Fluid	空气 Air			
给油 Lubrication	不需要 Not required (也可给油)			
磁铁保持力 (N) Mffective gripping force	220	340	560	880
活塞脱开压力 (bar)	7	7	7	7



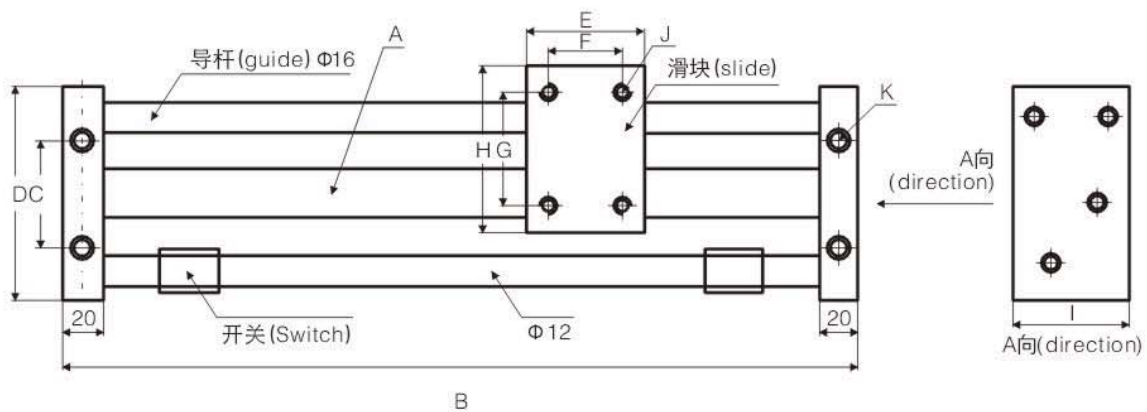
# 尺寸 Dimensions

基本型  
Basic type



缸径 Bore	D	A	B	E	EE	F	G	H	K	L	M	MB	MM	N	Q	SW	W	X	Z
Φ20	23	6	40	28	G1/8'	15	8	7	11	62	8	M22×1.5	M6	15	104	30	40	30	134
Φ25	28	6	45	33	G1/8'	15	8	7	10	70	8	M22×1.5	M6	15	113	30	50	30	143
Φ32	32	7	60	40	G1/8'	16	8	8	15	80	10	M24×2	M8	15	125	32	50	40	157
Φ40	44	7	70	48	G1/4'	20	10	9	12	94	10	M30×2	M8	20	139	41	60	40	179

单导杆型 QGW-A  
Single guide type



行程 Stroke (mm)	型号 Model	A	B	C	D	E	滑块尺寸 Slide dimensions	F	G	H	I	J	K
20	Φ20 不锈钢缸筒 Stainless steel cylinder tube	130+ 行程 (stroke)	40	100	60	E*H*50	40 50 80 60	40	50	80	60	4-M6 深(deep) 7MM	4-Φ7通孔 (Through) 4-Φ11沉孔深 (Counterbore)7
25	Φ25 不锈钢缸筒 Stainless steel cylinder tube	140+ 行程 (stroke)	40	100	65	E*H*50	40 50 80 60	40	50	80	60	4-M6 深(deep) 7MM	4-Φ7通孔 (Through) 4-Φ11沉孔深 (Counterbore)7
32	Φ32 不锈钢缸筒 Stainless steel cylinder tube	150+ 行程 (stroke)	55	110	70	E*H*60	40 70 90 70	40	70	90	70	4-M8 深(deep) 7MM	4-Φ9通孔 (Through) 4-Φ12沉孔深 (Counterbore)9
40	Φ40 不锈钢缸筒 Stainless steel cylinder tube	160+ 行程 (stroke)	55	120	75	E*H*70	40 70 90 80	40	70	90	80	4-M8 深(deep) 7MM	4-Φ9通孔 (Through) 4-Φ12沉孔深 (Counterbore)9

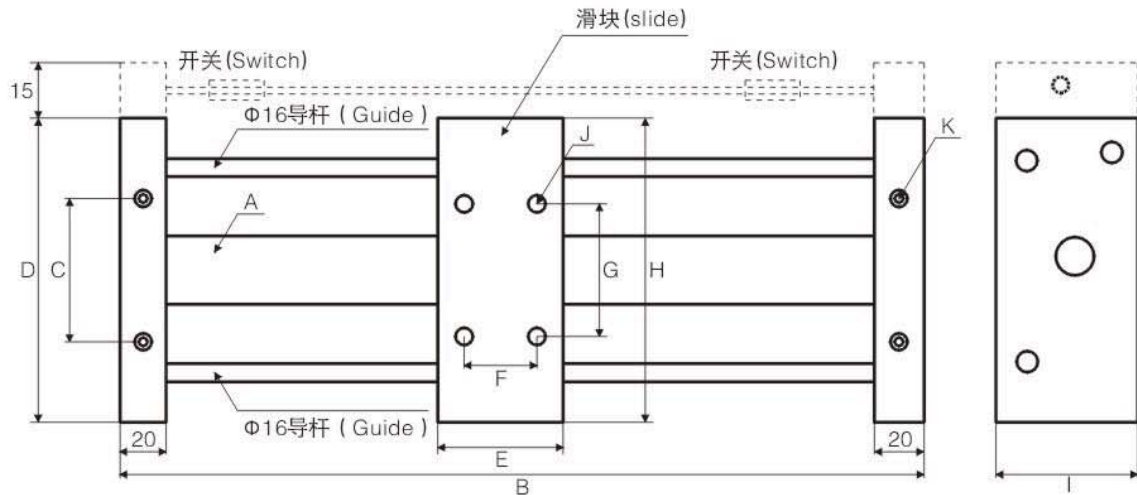
# QGW系列无杆气缸

## QGW series rodless cylinder

### 尺寸

### Dimensions

双导杆型 QGW-B  
Double guide type



备注:如图双导杆型中虚线部分为开关架。如不需要带开关则虚线部分可以忽略。  
Remark: dotted line of double guiding bar type means the switch frame.

行程 Stroke (mm)	型号 Model	A	B	C	D	E	滑块尺寸 Slide dimensions	F	G	H	I	J	K
20	Φ20 不锈钢缸筒 Stainless steel cylinder tube	130+ 行程 (stroke)	40	100	60	E*H*50	40	50	80	60	4-M6 深(deep) 7MM	4-Φ7通孔 (Through) 4-Φ11沉孔深 (Counterbore)7	
25	Φ25 不锈钢缸筒 Stainless steel cylinder tube	140+ 行程 (stroke)	40	100	65	E*H*50	40	50	80	60	4-M6 深(deep) 7MM	4-Φ7通孔 (Through) 4-Φ11沉孔深 (Counterbore)7	
32	Φ32 不锈钢缸筒 Stainless steel cylinder tube	150+ 行程 (stroke)	55	110	70	E*H*60	40	70	90	70	4-M8 深(deep) 7MM	4-Φ9通孔 (Through) 4-Φ12沉孔深 (Counterbore)9	
40	Φ40 不锈钢缸筒 Stainless steel cylinder tube	160+ 行程 (stroke)	55	120	75	E*H*70	40	70	90	80	4-M8 深(deep) 7MM	4-Φ9通孔 (Through) 4-Φ12沉孔深 (Counterbore)9	

