



395 系列减压阀 395 Series Regulator



订购码 Ordering code

395

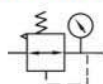
减压器
Regulator

-



规格
Specification

符号
Symbol



技术参数 Technical data

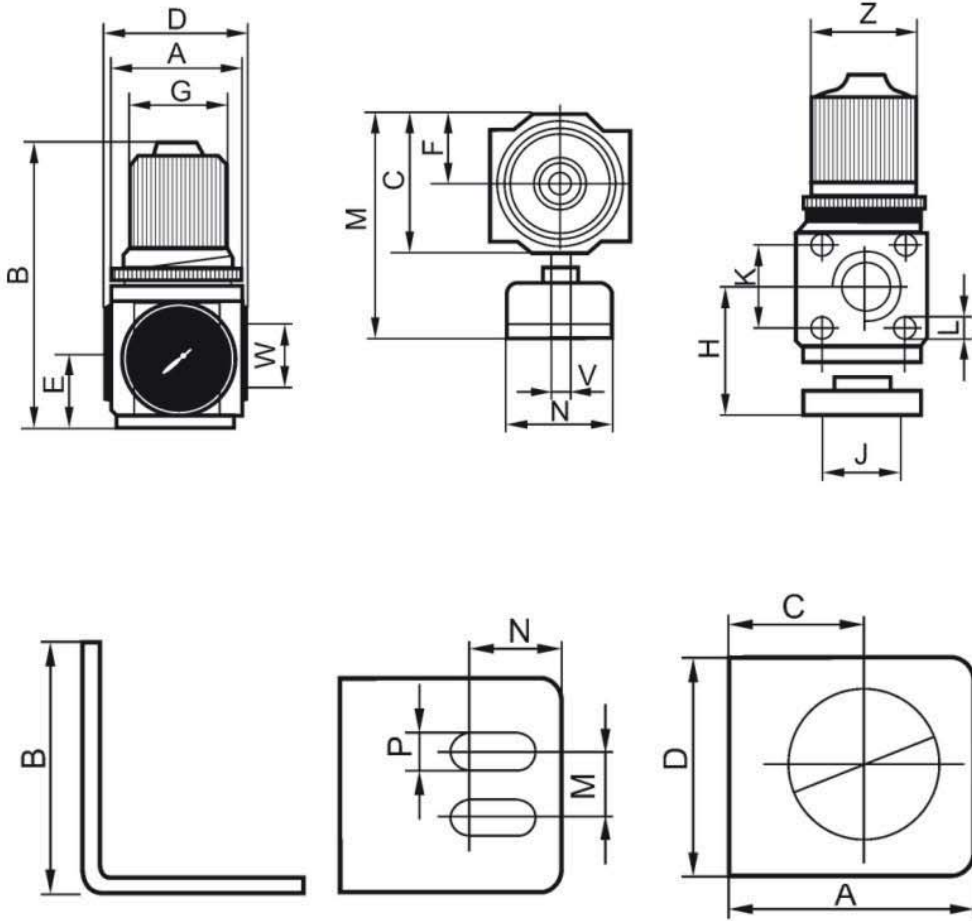
| 型号 Model | 395-6 | 395-8 | 395-10 | 395-15 | 395-20 | 395-25 |
|---------------------------------------|----------|----------|----------|----------|----------|----------|
| 接管口径 Port size | 6 | 8 | 10 | 15 | 20 | 25 |
| 调定压力 Adjusted pressure | 0.05-0.3 | 0.05-0.3 | 0.05-0.3 | 0.05-0.3 | 0.05-0.3 | 0.05-0.3 |
| | 0.05-0.6 | 0.05-0.6 | 0.05-0.6 | 0.05-0.6 | 0.05-0.6 | 0.05-0.6 |
| | 0.05-1.0 | 0.05-1.0 | 0.05-1.0 | 0.05-1.0 | 0.05-1.0 | 0.05-1.0 |
| | 0.05-1.6 | 0.05-1.6 | 0.05-1.6 | 0.05-1.6 | 0.05-1.6 | 0.05-1.6 |
| 最大可调压力 Max. Pressure | 1.6MPa | | | | | |
| 使用温度范围 Operating temperature range | 5 - 60°C | | | | | |



395 系列减压阀 395 Series Regulator

尺寸 Dimensions

395 系列减压器
395 Series Regulator



| 型号 Model | 接管口径 Port size | A | B | C | D | E | F | G | J | K | L | Z | H | V | N | M |
|----------|----------------|----|-----|----|----|----|----|----|----|----|----|---------|----|------|----|-----|
| 395-6 | G1/8" | 40 | 82 | 40 | 48 | 20 | 20 | 28 | 20 | 20 | M4 | M30×1.5 | 25 | G1/4 | 40 | 70 |
| 395-8 | G1/4" | 40 | 82 | 40 | 40 | 20 | 20 | 28 | 20 | 20 | M4 | M30×1.5 | 25 | G1/4 | 40 | 70 |
| 395-10 | G3/8" | 60 | 125 | 60 | 68 | 30 | 30 | 45 | 35 | 35 | M5 | M50×1.5 | 20 | G1/4 | 50 | 95 |
| 395-15 | G1/2" | 60 | 125 | 60 | 60 | 30 | 30 | 45 | 35 | 35 | M5 | M50×1.5 | 20 | G1/4 | 50 | 95 |
| 395-20 | G3/4" | 80 | 150 | 80 | 92 | 40 | 40 | 65 | 48 | 48 | M6 | M67×1.5 | 20 | G1/4 | 63 | 120 |
| 395-25 | G1" | 80 | 150 | 80 | 80 | 40 | 40 | 65 | 48 | 48 | M6 | M67×1.5 | 20 | G1/4 | 63 | 120 |