



**QIU 系列减压阀**  
QIU Series Lubricator



订购码  
Ordering code

**Q**

气动辅件  
Pneumatic  
accessory

-

**IU**

喷雾器  
Lubricator

**8**

公称口径  
Nominal  
diameter

符号  
Symbol



技术参数  
Technical data

型号	Model	QIU-6	QIU-8	QIU-10	QIU-15	QIU-20	QIU-25	QIU-40	
使用温度范围	Operating temperature range				5~60℃				
公称输入压力	Nominal in out pressure				1.0MPa				
过滤精度	Filtering accuracy				≥0.1 μM				
水分离效果	Water separation effect				≥100%				

压力降-空气流量表  
Pressure

型号 Model	进口压力为1MPa,出口压力降为0.05MPa,最大流量应不小于下列值 The entrance pressure is 1MPa,the exit pressure is reduced to 0.05MPa,the max flow-rate will not less than the following value.					
	空气流量L/min Air flow-rate					
	进口压力/MPa Entrance pressure					
	0.25	0.4	0.63	0.8	1.0	
QIU-6	70	90	120	180	220	
QIU-8	75	140	220	240	300	
QIU-10	120	190	300	400	470	
QIU-15	140	350	480	630	650	
QIU-20	350	750	1100	1400	1500	
QIU-25	600	1200	1600	1800	2100	
QIU-40	850	1650	2100	2200	2700	

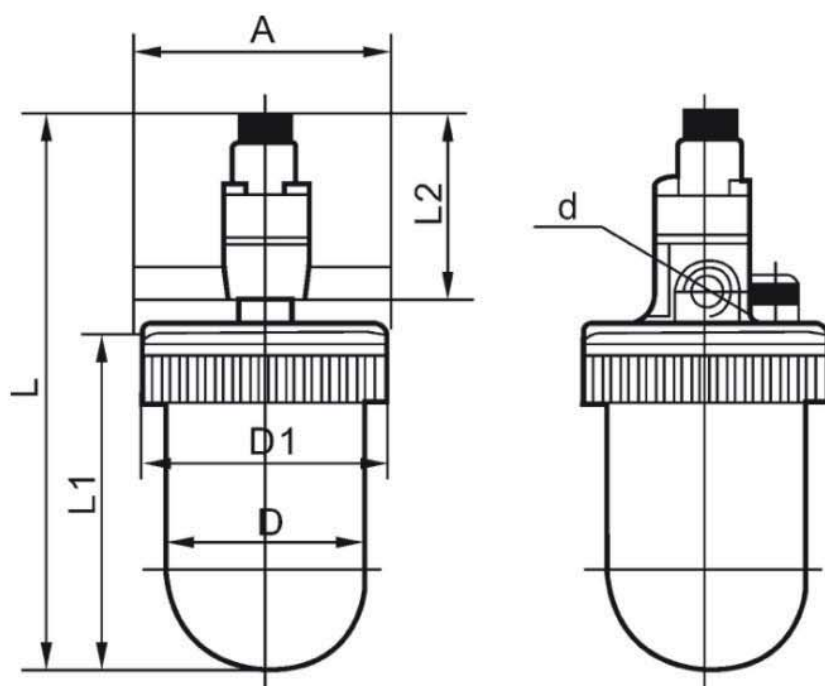
## QIU 系列减压阀

### QIU Series Lubricator

### 尺寸

### Dimensions

QIU 系列减压阀  
QIU Series Lubricator



型号 Model	接管口径 Port size	A	D	D <sub>1</sub>	D <sub>2</sub>	L <sub>0</sub>	L <sub>1</sub>
QIU-6	G 1/8'	90	Φ70	Φ88	114	69	220
QIU-8	G 1/4'						
QIU-10	G 3/8'						
QIU-15	G 1/2'						
QIU-20	G 3/4'	115	Φ90	Φ110	151	74	250
QIU-25	G 1'						
QIU-40	G 1/2'	130	Φ90	Φ110	163	60	245