

**100系列电磁阀、气控阀**  
100 Series Solenoid Valve, Pneumatic Control Valve



订购码  
Ordering code

<b>4V</b>	<b>1</b>	<b>10</b>	-	<b>06</b>	-	<b>AC220V</b>	-	<b>W</b>
<b>规格</b> 4V: 二(三)位五通电磁阀 4A: 二(三)位五通气控阀 3V: 二位三通电磁阀 3A: 二位三通气控阀 <b>Specification</b> 4V: 5/2(3) way solenoid valve 4A: 5/2(3) way pneumatic control valve 3V: 3/2 way solenoid valve 3A: 3/2 way pneumatic control valve	<b>系列</b> 100系列 <b>Series</b> 100 series	<b>线圈及位数</b> 10: 单头双位置 20: 双头双位置 30C: 双头三位置封闭型 30E: 双头三位置排气型 30P: 双头三位置压力型 <b>Coil and places</b> 10: Single-head double-position 20: Double-head double-position 30C: Double-head three-position Close centre 30E: Double-head three-position exhaust centre 30P: Double-head three-position pressure centre	<b>接管口径</b> <b>Port size</b> M5: M5×0.8 06: 1/8"	<b>接管形式及初始状态</b> 空白: 管接式 B: 二位五通板接式 三位五通板接式 NC: 二位三通常闭型 NO: 二位三通常开型 <b>Joint pipe from and initial state</b> Blank: Pipe connection type B: 5/2 way Plate connection type 5/3 way Plate connection type NC: 3/2 way normal close type NO: 3/2 way normal open type	<b>线圈电压</b> <b>Coil voltage</b> DC12V DC24V AC24V 50Hz/60Hz AC110V 50Hz/60Hz AC220V 50Hz/60Hz AC380V 50Hz/60Hz	<b>接线形式</b> 空白: 标准端子式 LD: 棕色带灯端子式 LD: 白色带灯端子式 W: 引线式 <b>Electrical entry</b> Blank: Standard connector LD: Brown connector with light LD: White connector with light W: Lead wire type		

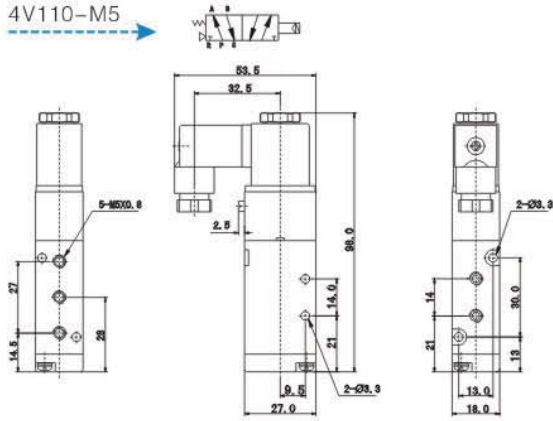
规格  
Specifications

<b>型号 Model</b>	4V110-M5	4V120-M5	4V130C-M5	4V130E-M5	4V130P-M5	4V110-06	4V120-06	4V130C-06	4V130E-06	4V130P-06
	4A110-M5	4A120-M5	4A130C-M5	4A130E-M5	4A130P-M5	4A110-06	4A120-06	4A130C-06	4A130E-06	4A130P-06
<b>位通数</b> Position and way NO.	二位五通 5/2 way		三位五通 5/3 way			二位五通 5/2 way		三位五通 5/3 way		
<b>有效截面积</b> Effective Area	10mm <sup>2</sup> (CV=0.56)		7mm <sup>2</sup> (CV=0.40)			12mm <sup>2</sup> (CV=0.67)		9mm <sup>2</sup> (CV=0.5)		
<b>型号 Model</b>	3V110-M5	3V120-M5	3A110-M5	3A120-M5	3V110-06	3V120-06	3A110-06	3A120-06		
<b>位通数</b> Position and way NO.	二位三通 3/2 way						二位三通 3/2 way			
<b>有效截面积</b> Effective area	10mm <sup>2</sup> (CV=0.56)						12mm <sup>2</sup> (CV=0.67)			
<b>接管口径</b> Port size	进气=出气=排气=M5×0.8' Air Inlet=Air Outlet=Exhaust=M5×0.8'						进气=出气=排气=G1/8' Air Inlet=Air Outlet=Exhaust=G1/8'			
<b>工作介质</b> Fluid	空气(经40μm滤网过滤) / Air (40Micron Filtered)									
<b>动作方式</b> Operation	内部先导式 / Inside pilot type									
<b>使用压力</b> Operating pressure	0.15~0.8MPa									
<b>最大耐压试验压力</b> Max. Proof pressure	1.2MPa									
<b>工作温度</b> Temperature	5~50°C									
<b>电压范围</b> Allowable voltage	±10%									
<b>耗电量</b> Power consumption	AC: 2.5VA DC: 2.5W									
<b>绝缘性及防护等级</b> Coil insulation & protection grade	F级 IP65 / Class F. IP 65									
<b>接线形式</b> Electrical entry	出线式或端子式 / Lead wire or connector									
<b>最高动作频率</b> Highest action frequency	每秒五次 / 5 cycle / second									
<b>最短励磁时间</b> Shortest excitation time	0.05秒 / 0.05 second									

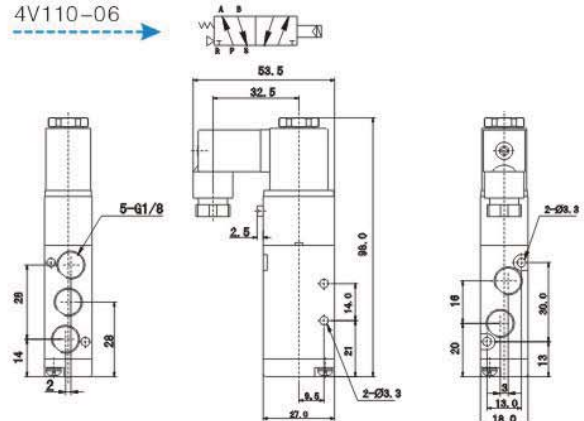
# 100系列电磁阀、气控阀 100 Series Solenoid Valve, Pneumatic Control Valve

## 尺寸 Dimensions

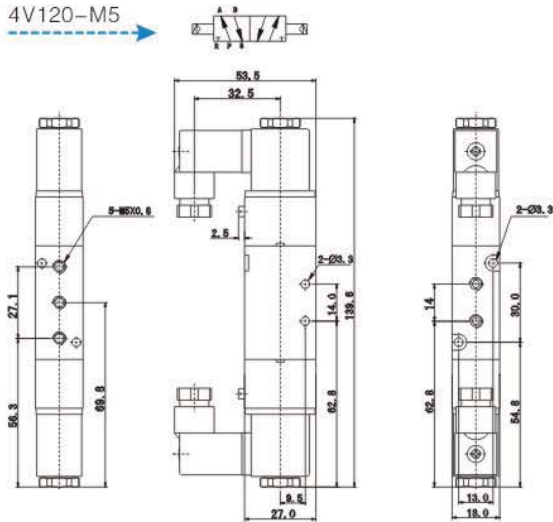
4V110-M5



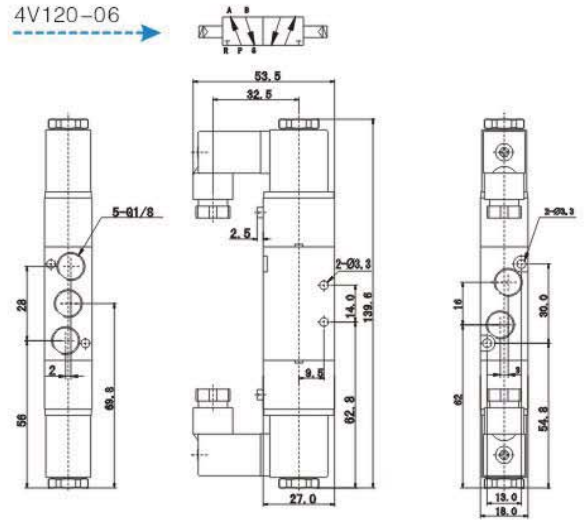
4V110-06



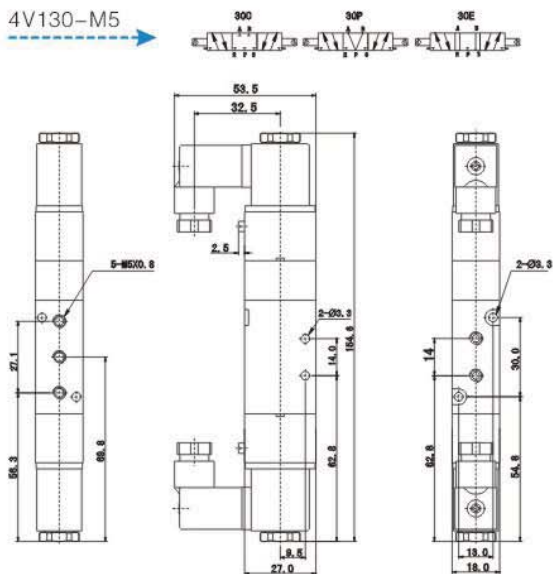
4V120-M5



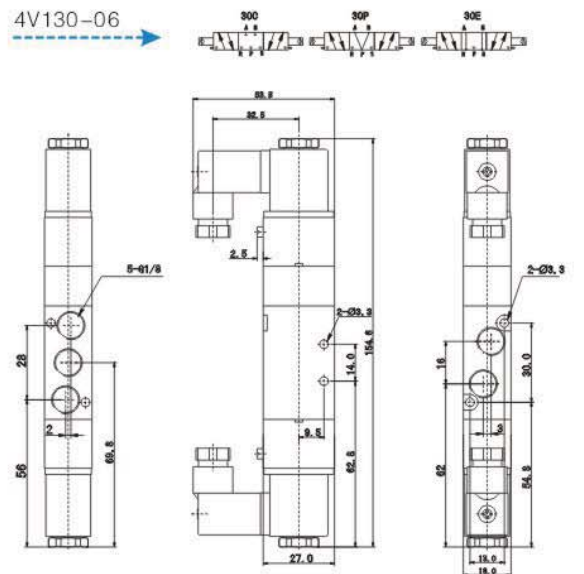
4V120-06



4V130-M5



4V130-06

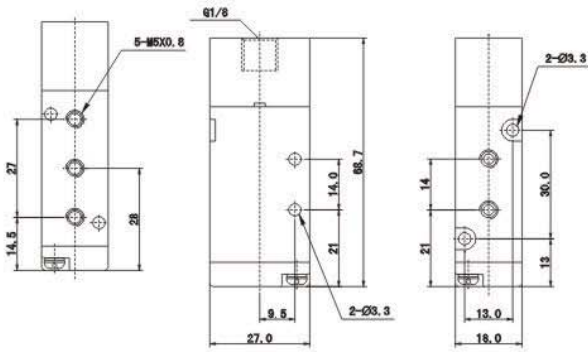


# 100系列电磁阀、气控阀

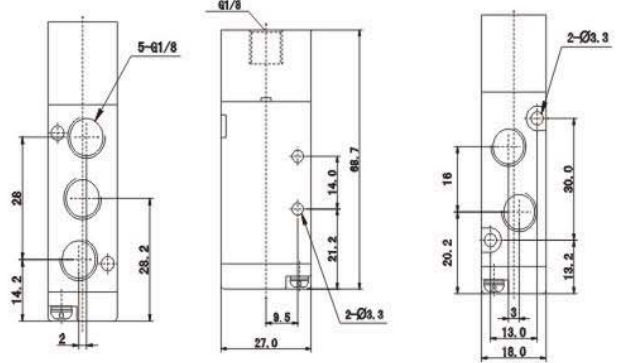
## 100 Series Solenoid Valve, Pneumatic Control Valve

### 尺寸 Dimensions

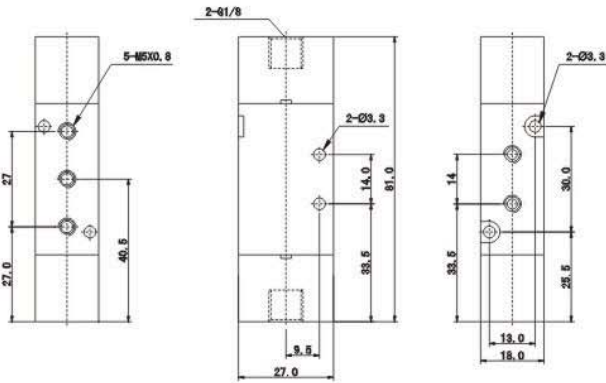
4A110-M5



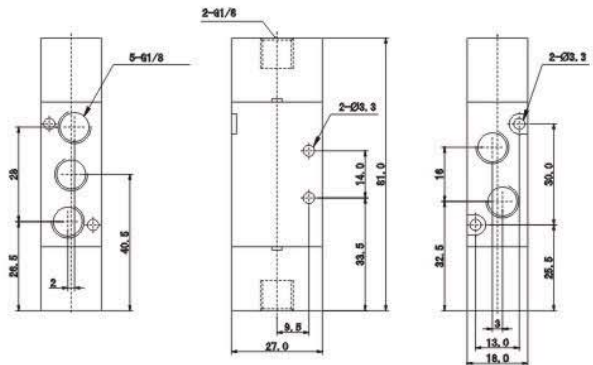
4A110-06



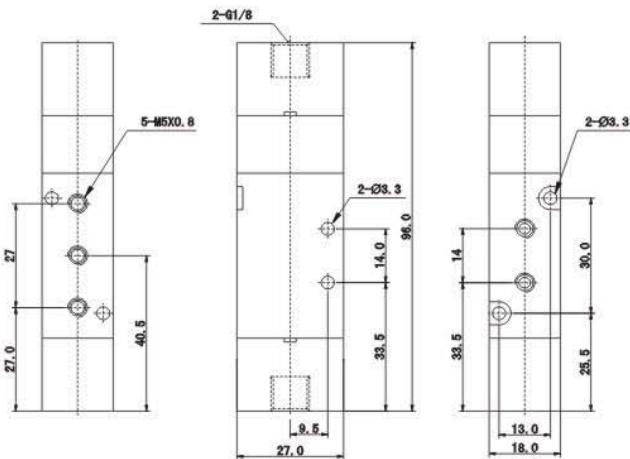
4A120-M5



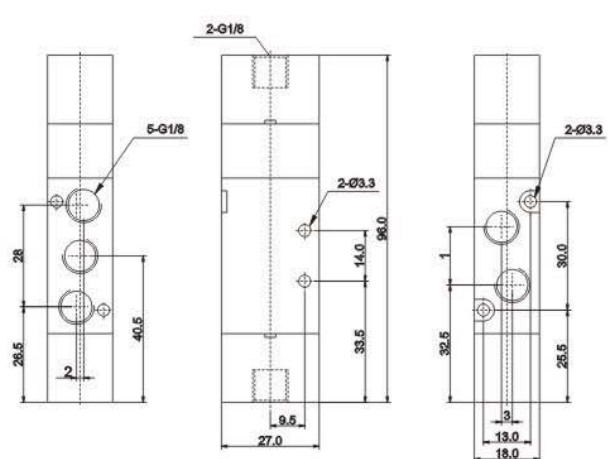
4A120-06



4A130-M5



4A130-06

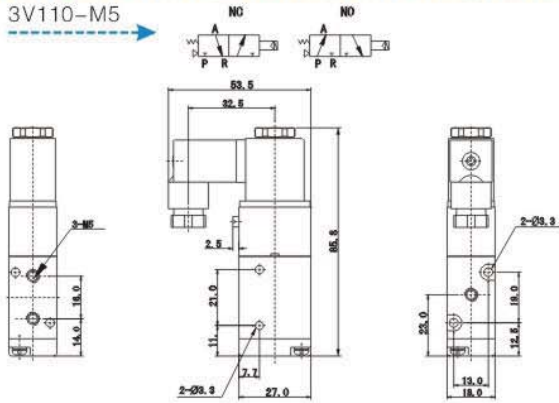




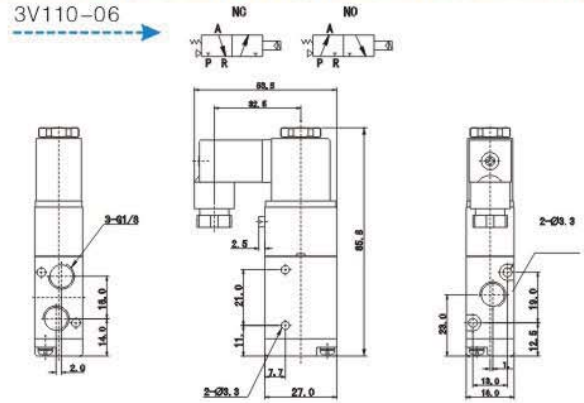
# 100系列电磁阀、气控阀 100 Series Solenoid Valve, Pneumatic Control Valve

## 尺寸 Dimensions

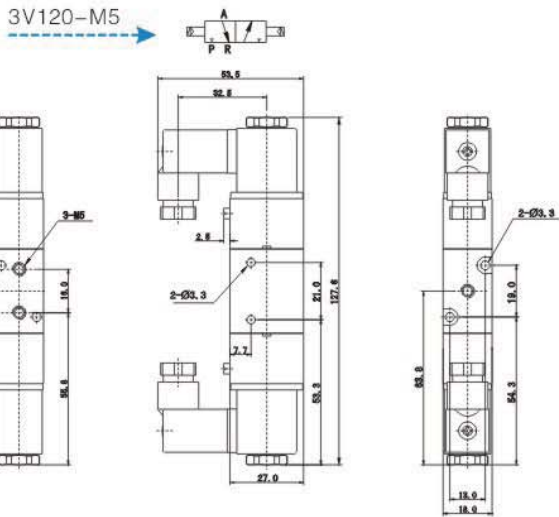
3V110-M5



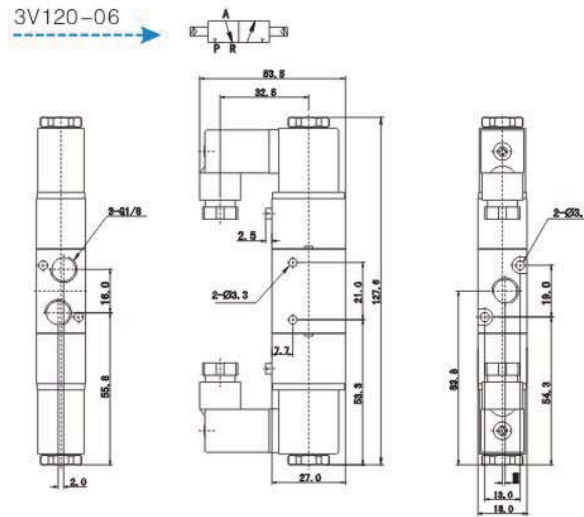
3V110-06



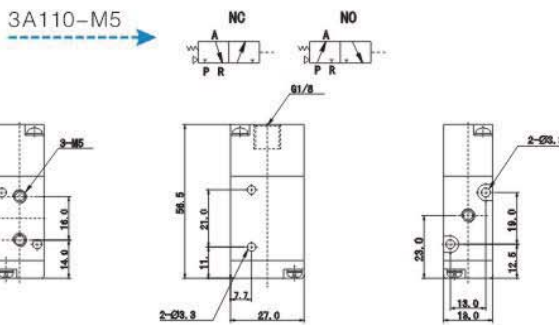
3V120-M5



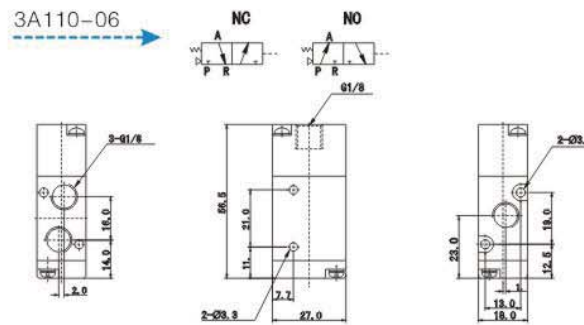
3V120-06



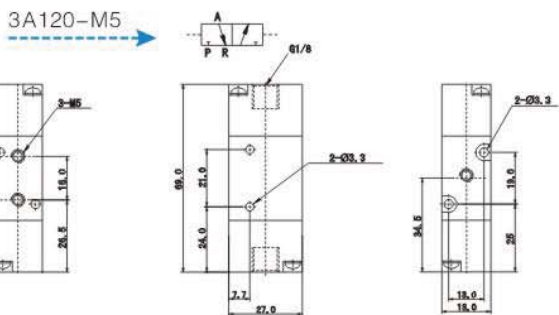
3A110-M5



3A110-06



3A120-M5



3A120-06

