



200系列电磁阀、气控阀 200 Series Solenoid Valve, Pneumatic Control Valve



订购码 Ordering code

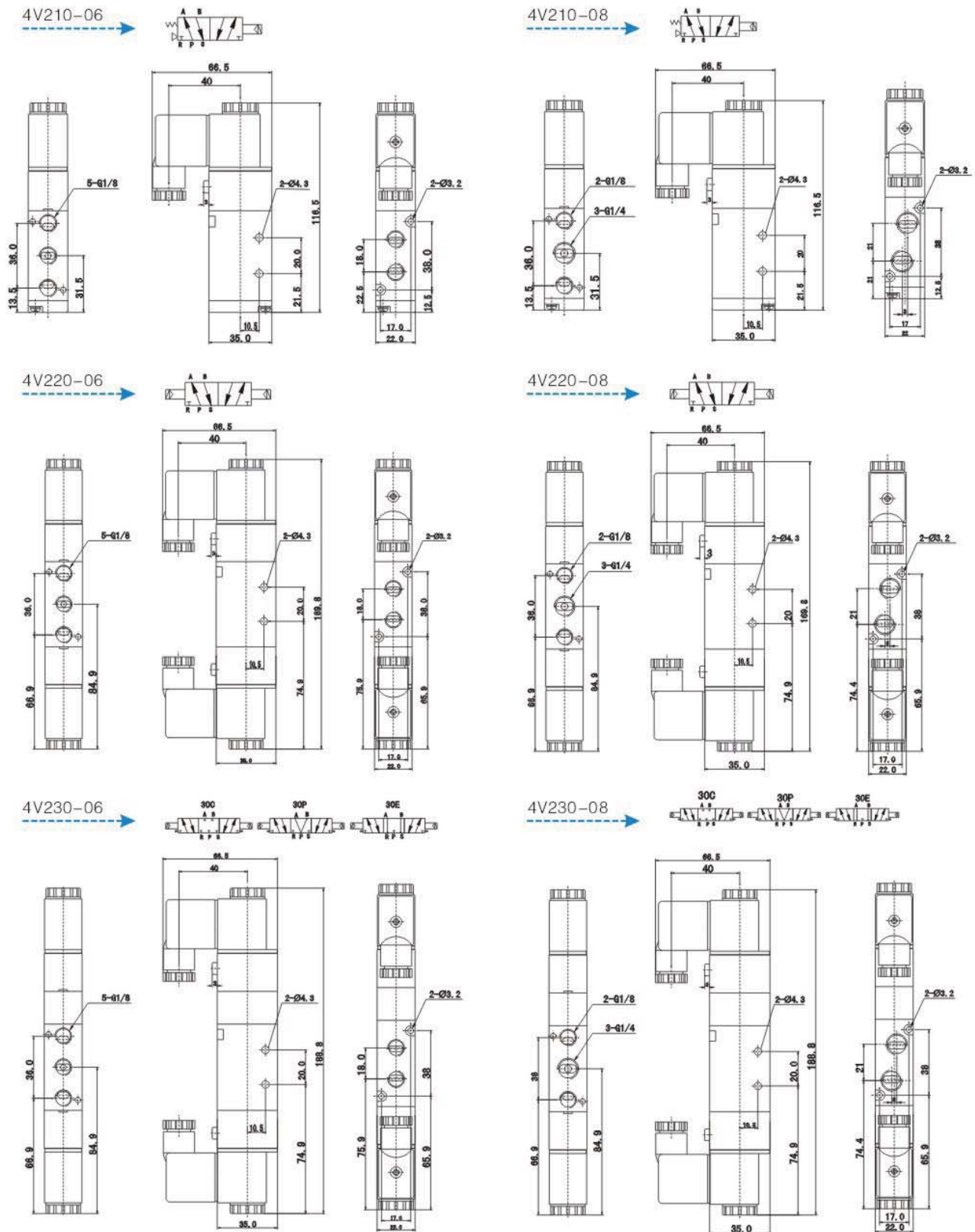
4V	2	10	-	08	B	-	AC220V	-	W
规格 4V: 二(三)位五通电磁阀 4A: 二(三)位五通气控阀 3V: 二位三通电磁阀 3A: 二位三通气控阀 Specification 4V: 5/2(3) way solenoid valve 4A: 5/2(3) way pneumatic control valve 3V: 3/2 way solenoid valve 3A: 3/2 way pneumatic control valve	系列 200系列 Series 200 series	线圈及位数 10: 单头双位置 20: 双头双位置 30C: 双头三位置封闭型 30E: 双头三位置排气型 30P: 双头三位置压力型 Coil and places 10: Single-head double-position 20: Double-head double-position 30C: Double-head three-position Close centre 30E: Double-head three-position exhaust centre 30P: Double-head three-position pressure centre	接管口径 Port size 06: 1/8" 08: 1/4"	接管形式及初始状态 空白: 管接式 B: 二位五通板接式 三位五通板接式 NC: 二位三通常闭型 NO: 二位三通常开型 Joint pipe from and initial state Blank: Pipe connection type B: 5/2 way Plate connection type 5/3 way Plate connection type NC: 3/2 way normal close type NO: 3/2 way normal open type	线圈电压 Coil voltage DC12V DC24V AC24V 50Hz/60Hz AC110V 50Hz/60Hz AC220V 50Hz/60Hz AC380V 50Hz/60Hz	接线形式 空白: 标准端子式 LD: 茶色带灯端子式 LD: 白色带灯端子式 W: 引线式 Electrical entry Blank: Standard connector LD: Brown connector with light LD: White connector with light W: Lead wire type			

规格 Specifications

型号 Model	4V210-06	4V220-06	4V230C-06	4V230E-06	4V230P-06	4V210-08	4V220-08	4V230C-08	4V230E-08	4V230P-08
	4A210-06	4A220-06	4A230C-06	4A230E-06	4A230P-06	4A210-08	4A220-08	4A230C-08	4A230E-08	4A230P-08
位通数 Position and way NO.	二位五通 5/2 way		三位五通 5/3 way			二位五通 5/2 way		三位五通 5/3 way		
有效截面积 Effective Area	14mm ² (CV=0.78)		12mm ² (CV=0.67)			16mm ² (CV=0.89)		12mm ² (CV=0.67)		
型号 Model	3V210-06	3V220-06	3A210-06	3A220-06	3V210-08	3V220-08	3A210-08	3A220-08		
位通数 Position and way NO.	二位三通 3/2 way						二位三通 3/2 way			
有效截面积 Effective area	14mm ² (CV=0.78)						16mm ² (CV=0.89)			
接管口径 Port size	进气=排气=排气=G1/8" Air Inlet=Air Outlet=Exhaust=G1/8"						进气=排气=G1/4" 排气=G1/8" Air Inlet=Air Outlet=G1/4" Exhaust=G1/8"			
工作介质 Fluid	空气(经40μm滤网过滤) / Air (40Micron Filtered)									
动作方式 Operation	内部先导式 / Inside pilot type									
使用压力 Operating pressure	0.15~0.8MPa									
最大耐压力 Max. Proof pressure	1.2MPa									
工作温度 Temperature	5~50°C									
电压范围 Allowable voltage	±10%									
耗电量 Power consumption	AC: 5.5VA DC: 4.8W									
绝缘性及防护等级 Coil insulation & protection grade	F级 IP65 / Class F. IP 65									
接线形式 Electrical entry	出线式或端子式 / Lead wire or connector									
最高动作频率 Highest action frequency	每秒五次 / 5 cycle / second									
最短励磁时间 Shortest excitation time	0.05秒 / 0.05 second									

200系列电磁阀、气控阀 200 Series Solenoid Valve, Pneumatic Control Valve

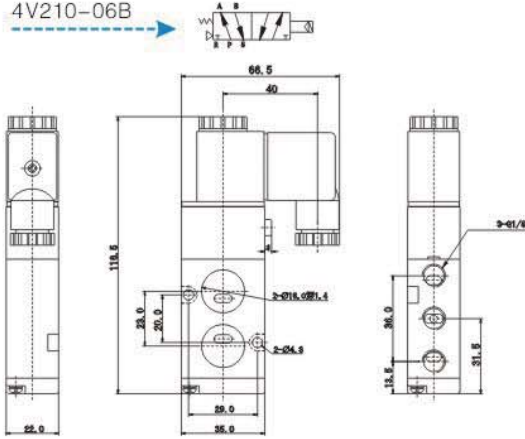
尺寸 Dimensions



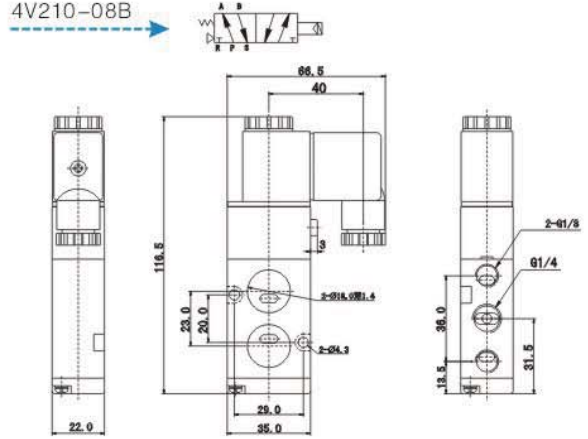
200系列电磁阀、气控阀 200 Series Solenoid Valve, Pneumatic Control Valve

尺寸 Dimensions

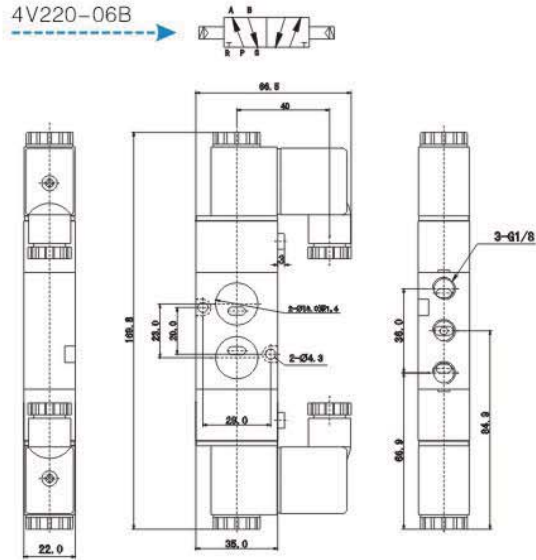
4V210-06B



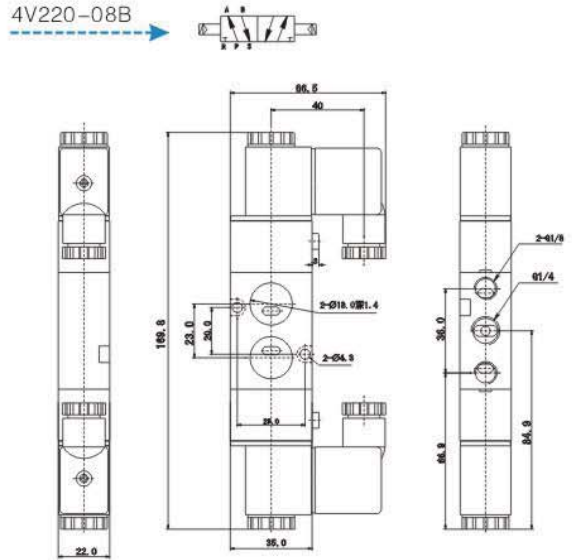
4V210-08B



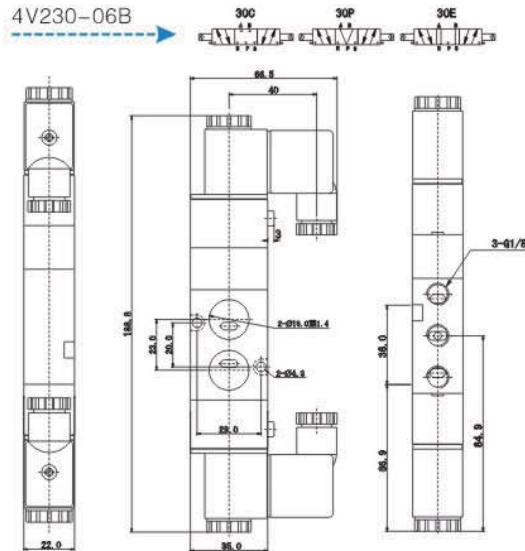
4V220-06B



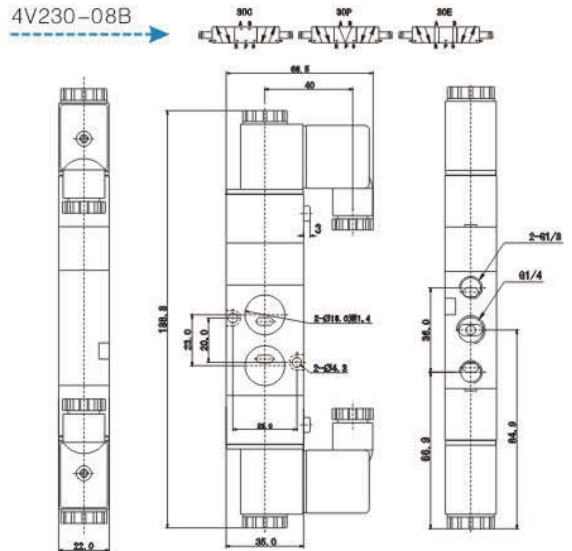
4V220-08B



4V230-06B



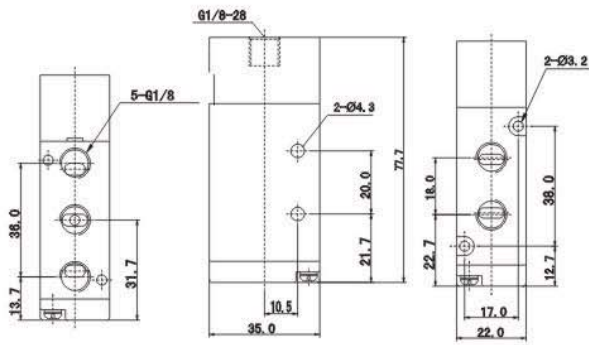
4V230-08B



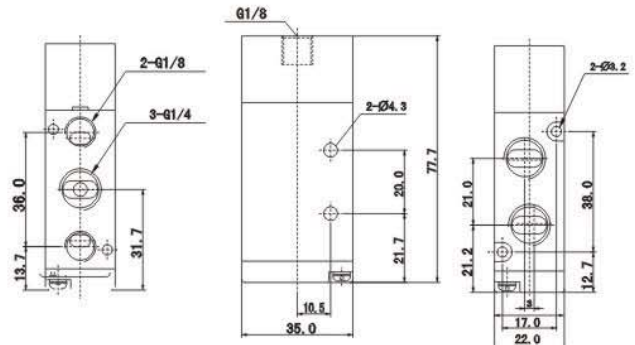
200系列电磁阀、气控阀 200 Series Solenoid Valve, Pneumatic Control Valve

尺寸 Dimensions

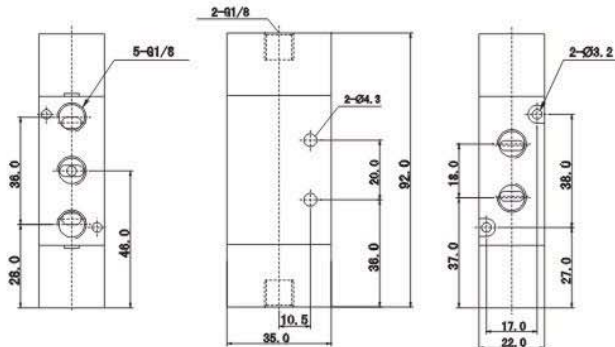
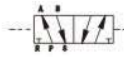
4A210-06



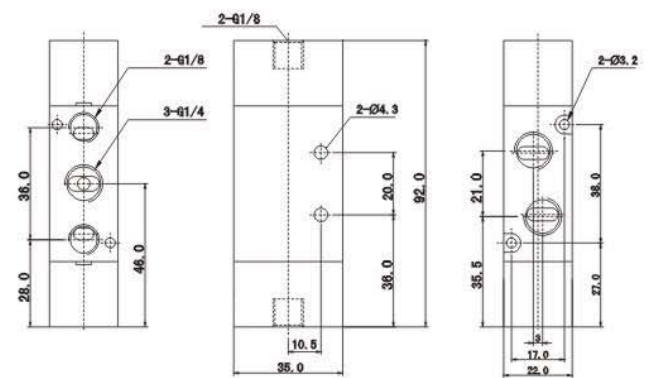
4A210-08



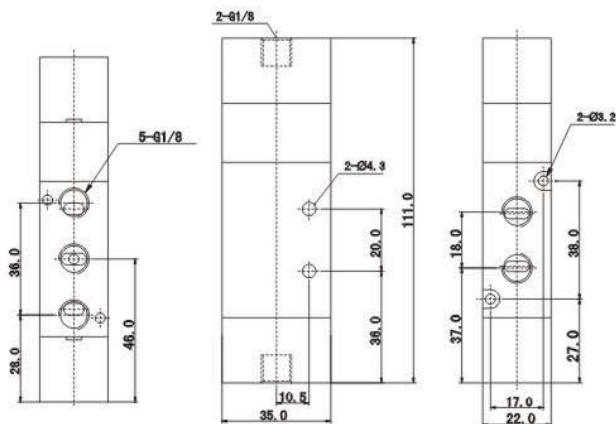
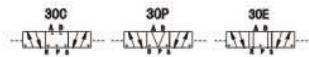
4A220-06



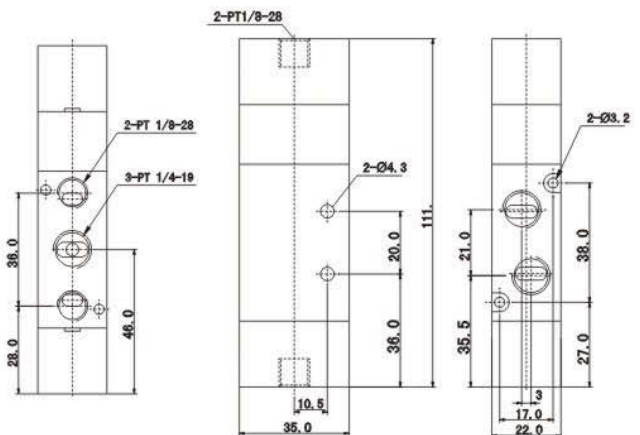
4A220-08



4A230-06



4A230-08

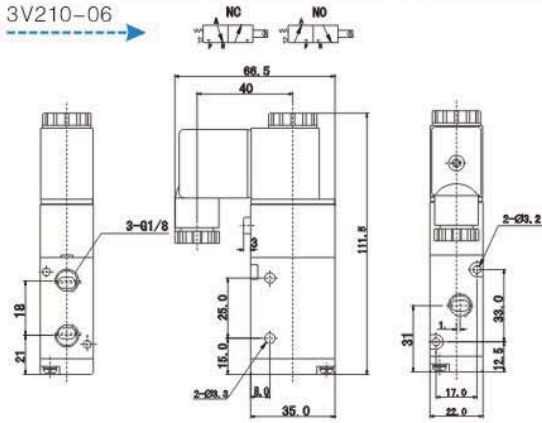


200系列电磁阀、气控阀

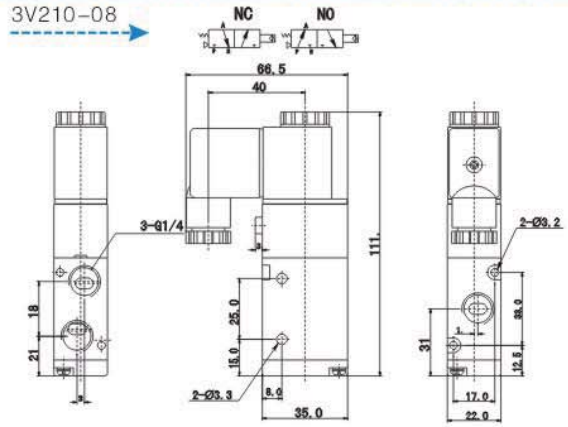
200 Series Solenoid Valve, Pneumatic Control Valve

尺寸 Dimensions

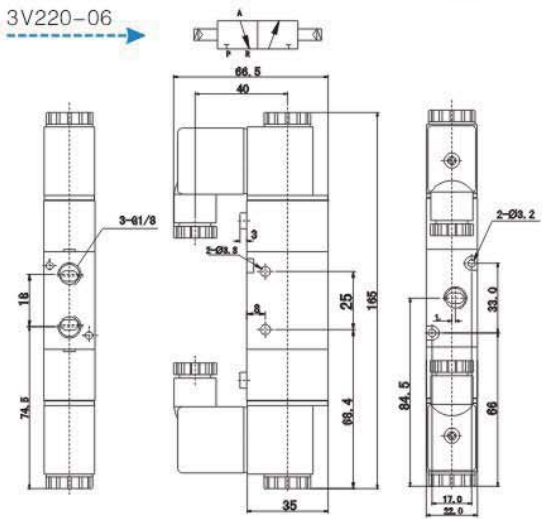
3V210-06



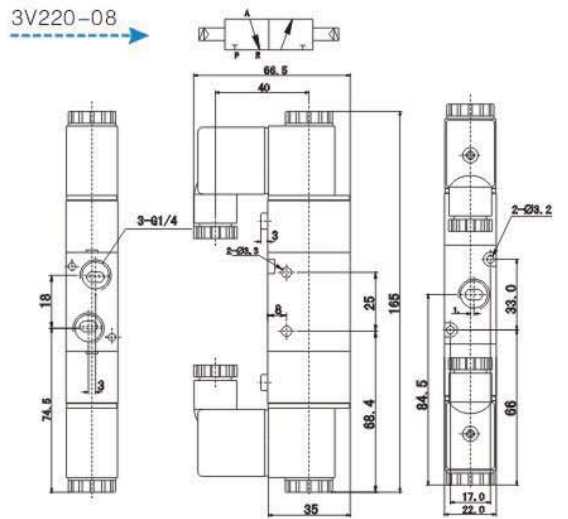
3V210-08



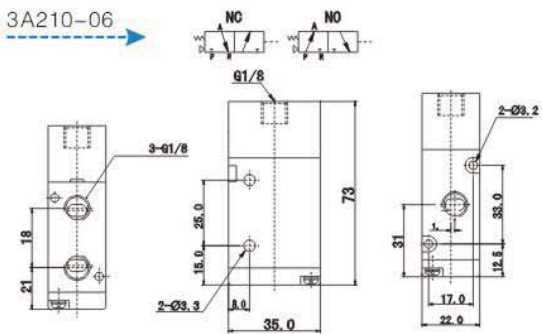
3V220-06



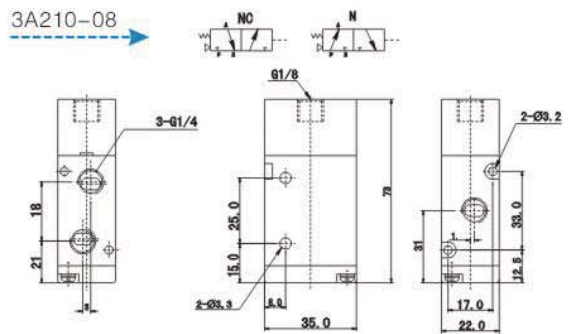
3V220-08



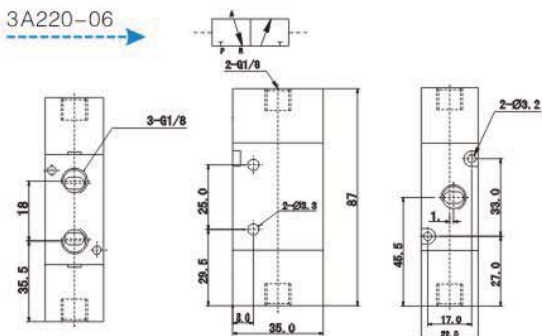
3A210-06



3A210-08



3A220-06



3A220-08

