

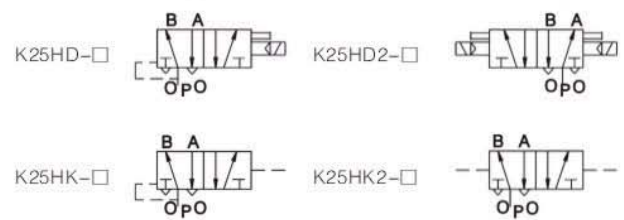
K 系列滑柱型电磁阀气控阀 (二位五通)
K series 5/2 Solenoid Valve



订购码
Ordering code

K25H	D	-	8
规格 K 系列二位五通滑柱式气动换向阀 Specification K series 5/2 way solenoid stop valve	控制方式 D:单电控 D2:双电控 K:单气控 K2:双气控 Control methods D:Single electronic control D2:Double electronic control K:Single electronic control K2:Double electronic control		接管口径 Port size 6:G1/8" (M10×1) 8:G1/4" (M12×1.25) 10:G3/8" (M16×1.5) 15:G1/2" (M20×1.5) 20:G3/4" (M27×2) 25:G1/4" (M33×2) 32:G1/4" (M42×2) 40:G1/2" (M48×2) 50:G2" (M60×2)

符号
Symbol

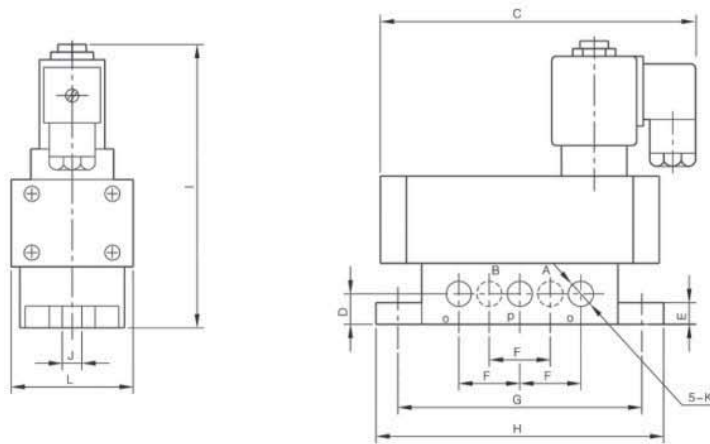


规格
Specifications

参数 Parameter	订购码 Ordering code	K25HD-6 K25HD,-6 K25HK,-6	K25HD-8 K25HD,-8 K25HK,-8	K25HD-10 K25HD,-10 K25HK,-10	K25HD-15 K25HD,-15 K25HK,-15	K25HD-20 K25HD,-20 K25HK,-20	K25HD-25 K25HD,-25 K25HK,-25
使用压力 MPa Operating pressure		0.15~0.8MPa					
介质温度 °C Fluid temperature		0~55°C					
工作温度 °C Operating temperature		-5~50°C					
电源电压 V Power consumption		AC: 220,110,36; DC:24,12 (气控无本项参数/Null parameter in pneumatics)					
寿命 千次 Life thousands		≥1500					
工作介质 Fluid		经净化、含有润滑油的压缩空气 Purified compressed air with lubrication					
公称通径 mm Nominal diameter		6	8	10	15	20	25
流通能力 S值mm³ Negotiability		10	20	40	60	120	190
换向时间 S Reversing time		≤0.06		≤0.08		≤0.12	
换向频率 S Commutating frequency		≥10		≥8		≥5	
泄漏量 cm³/min Leakage rate		≤10		≤25		≤50	

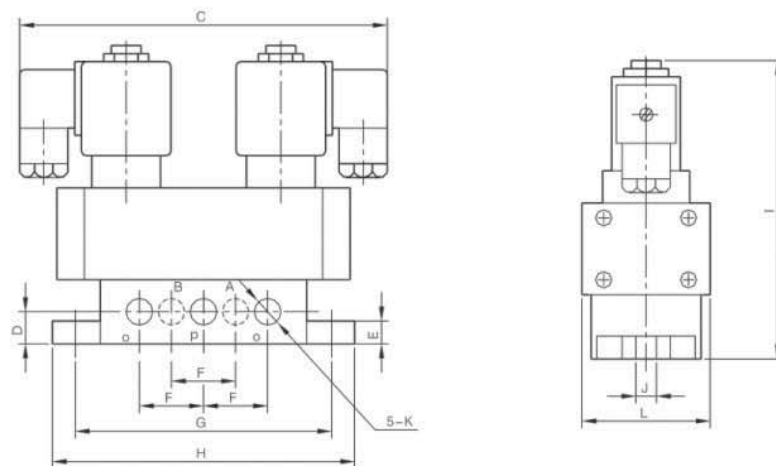
尺寸 Dimensions

K25HD-□



型号 Model	接管口径 Port size	C	D	E	F	G	H	I	J	L
K25HD-6	G1/8" (M10×1)	145	14	10	28	112	130	130	9	56
K25HD-8	G1/4" (M12×1.25)									
K25HD-10	G3/8" (M16×1.5)	163	19	14	38	148	164	165	9	74
K25HD-15	G1/2" (M20×1.5)									
K25HD-20	G3/4" (M27×2)	241	25	15	60	202	234	210	11	112
K25HD-25	G1/4" (M33×2)									
K25HD-32	G1/4" (M42×2)	360	46	18	96	303	340	260	13	166
K25HD-40	G1/2" (M48×2)									
K25HD-50	G2" (M60×2)									

K25HD₂-□

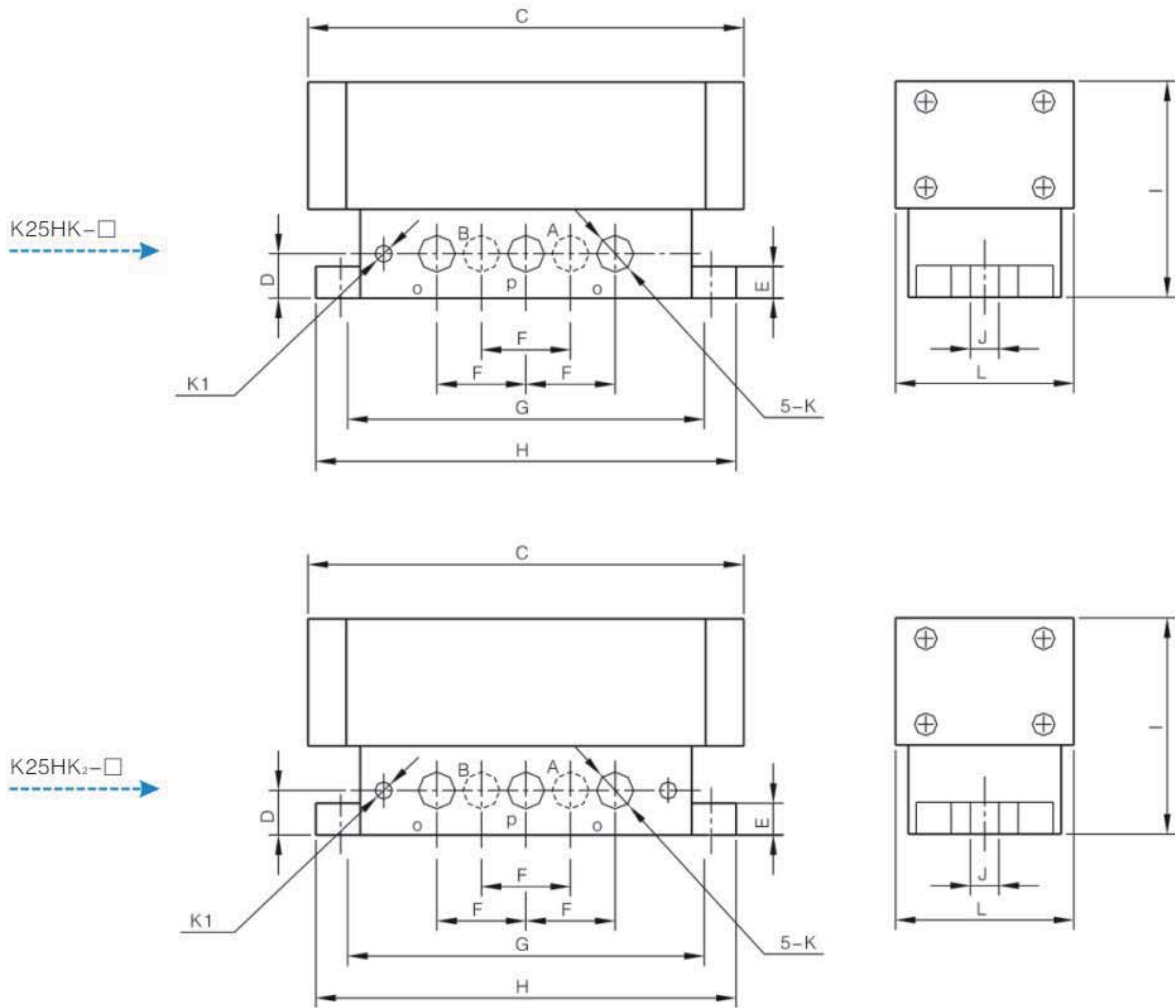


型号 Model	接管口径 Port size	C	D	E	F	G	H	I	J	L
K25HD ₂ -6	G1/8" (M10×1)	160	14	10	28	112	130	130	9	56
K25HD ₂ -8	G1/4" (M12×1.25)									
K25HD ₂ -10	G3/8" (M16×1.5)	171	19	14	38	146	164	165	9	74
K25HD ₂ -15	G1/2" (M20×1.5)									
K25HD ₂ -20	G3/4" (M27×2)	230	25	15	60	202	234	210	11	112
K25HD ₂ -25	G1/4" (M33×2)									
K25HD ₂ -32	G1/4" (M42×2)	345	46	18	96	303	340	260	13	166
K25HD ₂ -40	G1/2" (M48×2)									
K25HD ₂ -50	G2" (M60×2)									

K 系列滑柱型电磁阀气控阀 (二位五通)

K series 5/2 Solenoid Valve

尺寸 Dimensions



型号 Model	接管口径 Port size	C1	C2	D	E	F	G	H	I	J	L	K1
K25HK-6 K25HK-6	G1/8" (M10×1)	130	130	14	10	28	112	130	130	9	56	M10×1
K25HK-8	G1/4" (M12×1.25)											
K25HK-10 K25HK-10	G3/8" (M16×1.5)	161	171	19	14	38	146	164	135	9	74	
K25HK-15 K25HK-15	G1/2" (M20×1.5)											
K25HK-20 K25HK-20	G3/4" (M27×2)	241	230	125	15	60	202	234	210	11	112	
K25HK-25 K25HK-25	G1" (M33×2)											