



## R系列手拉阀 R series Hand Control Valve



### 订购码 Ordering code

**4R**

**规格代码**

4R: 二位五通手拉阀  
3R: 二位三通手拉阀  
**Specification code**  
4R: 5/2 way  
hand-pull valve  
3R: 3/2 way  
hand-pull valve

**2**

**系列代码**

200系列  
300系列  
400系列  
**Series code**  
200 Series  
300 Series  
400 Series

**10**

**位置数**

10: 单头双位置  
**Number of places**  
10: Single double  
- position

-

**06**

**接管口径**

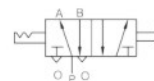
06: G1/8"  
08: G1/4"  
10: G3/8"

### 符号 Symbol

4R: K25R<sub>5</sub>-□



3R: K23R<sub>5</sub>-□

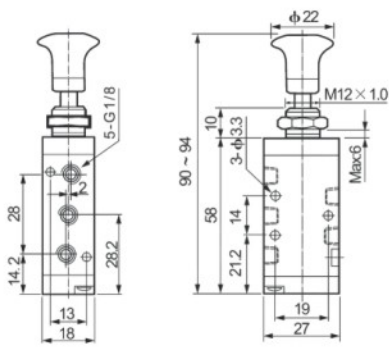


### 规格 Specifications

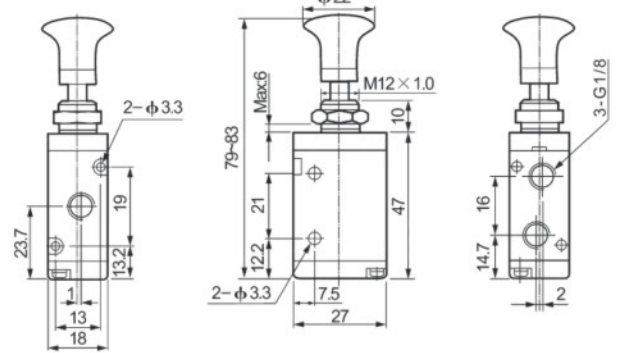
型号 Model	4R110-06	4R210-06	4R210-08	4R310-08	4R310-10	3R110-06	3R210-08	3R210-08	3R310-08	3R310-10
工作介质 Working medium	空气(经40μm滤网过滤) Air (40Micron Filtered)									
位通数 Number of places	二位五通 5/2 way			二位三通 3/2 way		二位五通 5/2 way			二位三通 3/2 way	
有效截面积 Effective sectional area	12mm <sup>2</sup> (CV=0.67)	14mm <sup>2</sup> (CV=0.78)	16mm <sup>2</sup> (CV=0.89)	25mm <sup>2</sup> (CV=1.4)	30mm <sup>2</sup> (CV=1.68)	12mm <sup>2</sup> (CV=0.67)	14mm <sup>2</sup> (CV=0.78)	16mm <sup>2</sup> (CV=0.89)	25mm <sup>2</sup> (CV=1.4)	30mm <sup>2</sup> (CV=1.68)
接管口径 Port size	进气=出气 =排气=G1/8" Air Inlet=Air Outlet =Exhaust=G1/8"		进气=出气 =G1/4" Air Inlet= Air Outlet =G1/4" Exhaust =G1/8"	进气=出气 =排气 =G1/4" Air Inlet =Air Outlet =Exhaust =G1/4"	进气=出气 =G3/8" 排气=G1/4" Air Inlet= Air Outlet =G3/8" Exhaust =G1/4"	进气=出气 =排气 =G1/8" Air Inlet =Air Outlet =Exhaust =G1/8"	进气=出气 =排气 =G1/8" Air Inlet =Air Outlet =Exhaust =G1/8"	进气=出气 =排气 =G1/4" Air Inlet =Air Outlet =Exhaust =G1/4"	进气=出气 =排气 =G1/4" Air Inlet =Air Outlet =Exhaust =G1/4"	进气=出气 =排气 =G3/8" Air Inlet =Air Outlet =Exhaust =G3/8"
使用压力范围 Working pressure range	0~0.8MPa									
使用温度范围 Operating temperature range	0~60℃									

# 尺寸 Dimensions

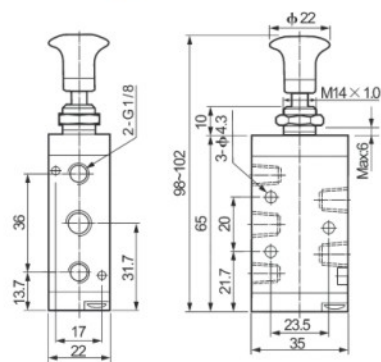
4R110



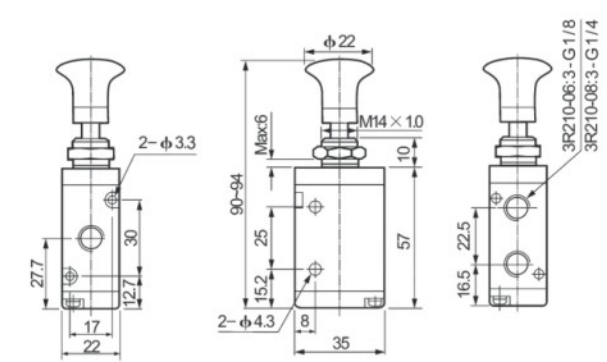
3R110



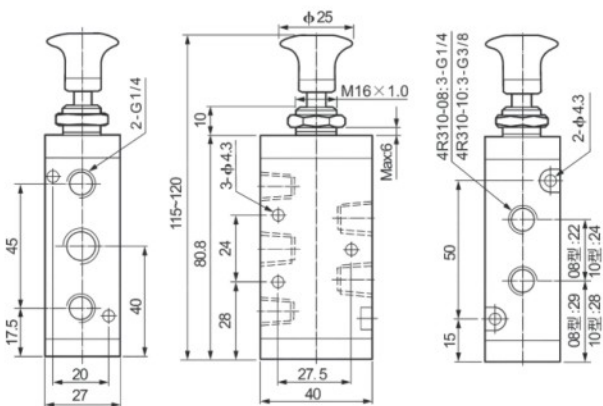
4R210



3R210



4R310



3R310

