



ASC、RE系列流量控制阀
ASC、RE Series Quick Exhaust Valve



订购码
Ordering code

ASC

规格代码
ASC:精密型流量控制阀
Specification code
ASC:Series Sophisticated
Quick Exhaust Valve

08

接管口径
Port size
06:G 1/8"
08:G 1/4"
10:G 3/8"
15:G 1/2"

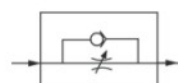
RE

系列代码
RE:普通型流量控制阀
Series code
RE:Normal Quick
Exhaust Valve

01

接管口径
Port size
01:G 1/8"
02:G 1/4"
03:G 3/8"
04:G 1/2"

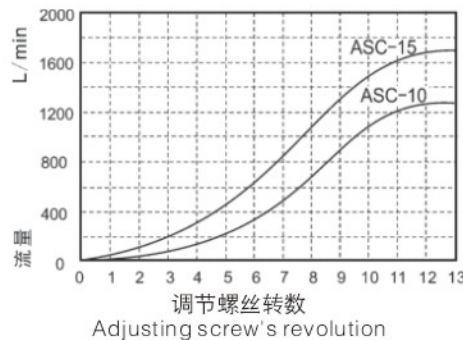
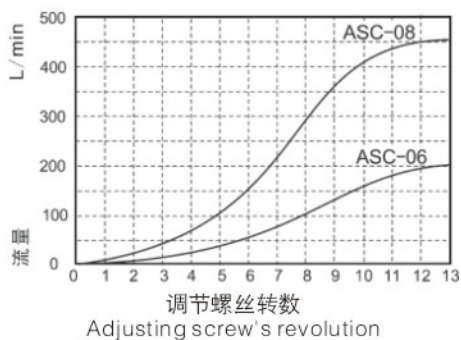
符号
Symbol



规格
Specifications

型号 Model	精密型 Sophisticated type				普通型 Normal type			
	ASC-06	ASC-08	ASC-10	ASC-15	RE-01	RE-02	RE-03	RE-04
接管口径 Port size	G 1/8"	G 1/4"	G 3/8"	G 1/2"	G 1/8"	G 1/4"	G 3/8"	G 1/2"
工作介质 Working medium	空气 Air							
使用压力范围 Working pressure range	0~0.95MPa							
使用温度范围 Operating temperature range	0~60℃							

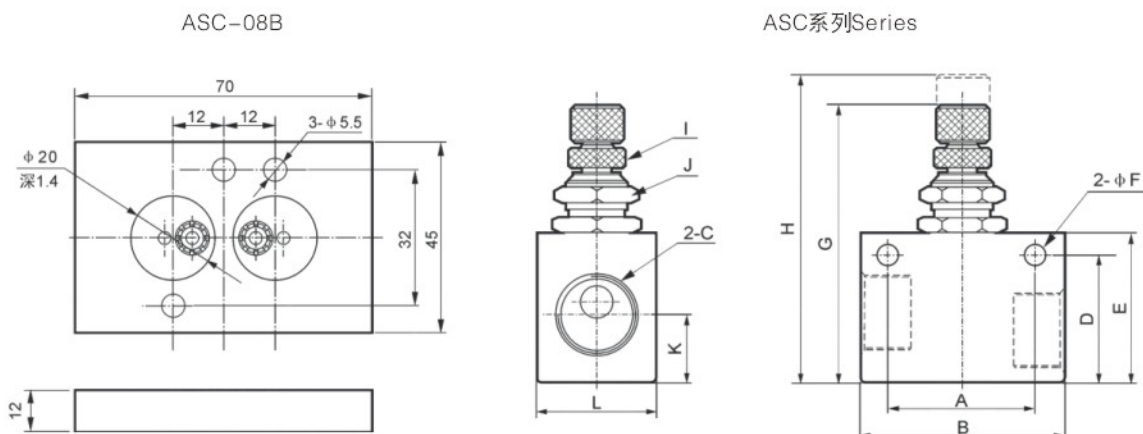
流量特性
Discharge characteristic



ASC、RE系列流量控制阀

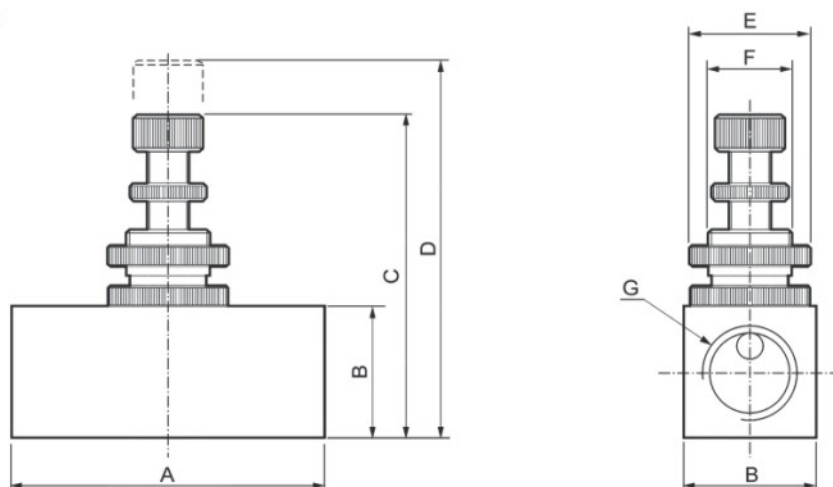
ASC、RE Series Quick Exhaust Valve

尺寸 Dimensions



符号/型号 Symbol / Model	A	B	C	D	E	F	G	H	I	J	K	L
ASC-06	22	32	G1/8'	22	27	4.3	49.7	56.5	M6×0.5	M12×0.75	12	18
ASC-08	26	36	G1/4'	22	27	4.3	49.7	56.5	M6×0.5	M12×0.75	12	18
ASC-10	28	40	G3/8'	25	30	4.3	52.7	59.5	M6×0.5	M12×0.75	13	22
ASC-15	28	40	G1/2'	30	35	4.3	58.7	65.5	M6×0.5	M12×0.75	13.5	26

RE系列Series



符号/型号 Symbol / Model	A	B	C	D	E	F	G
RE-01	45	19	43	50	Φ19	M14×1	G1/8
RE-02	45	19	43	50	Φ19	M14×1	G1/4
RE-03	55	25	55	62	Φ25	M18×1	G3/8
RE-04	55	25	55	62	Φ25	M18×1	G1/2